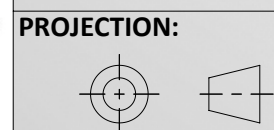




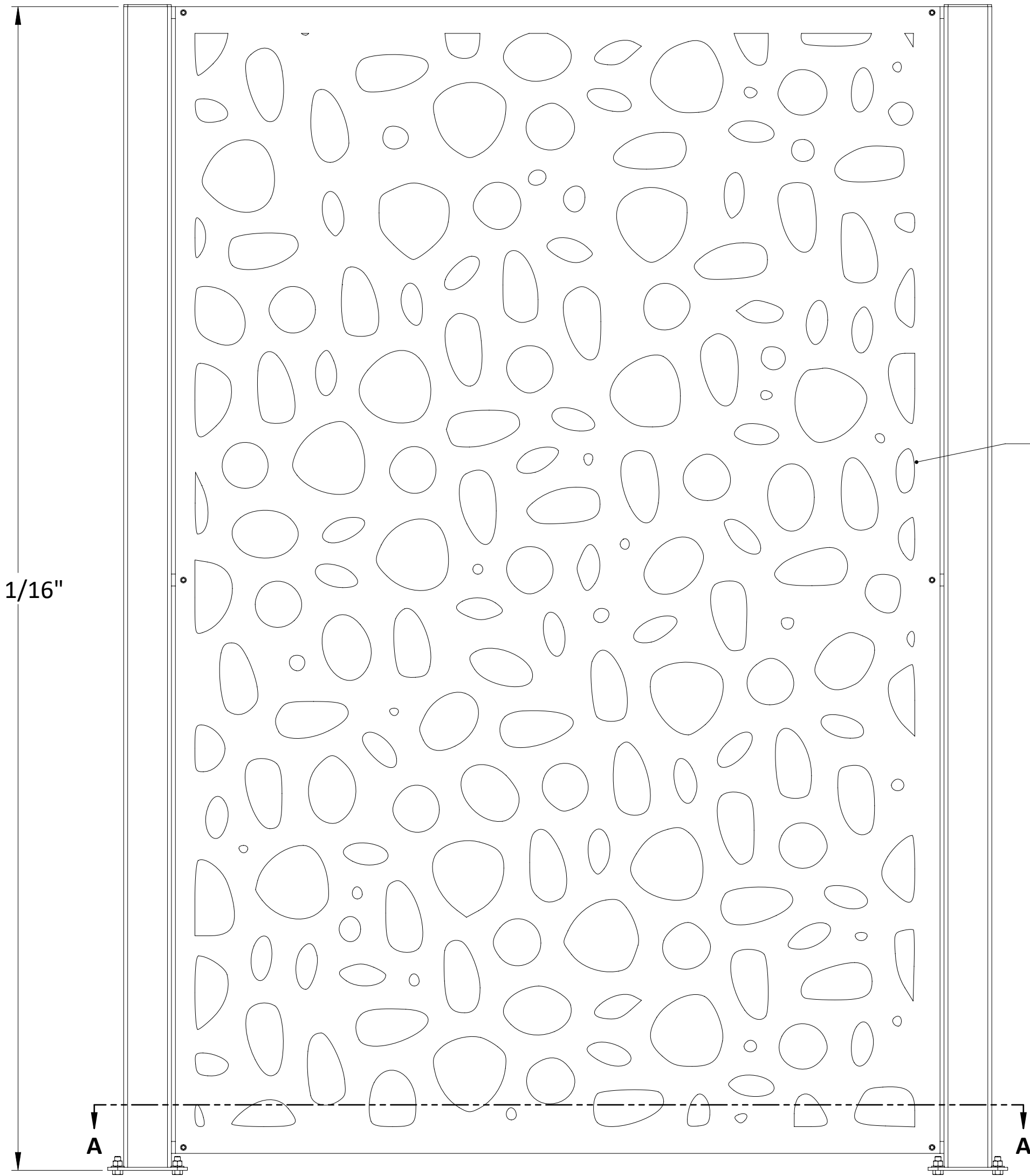
The information included in this document is proprietary and shall not be reproduced, transferred, or disclosed to others, for any purpose whatsoever, without the written authorization of Quantum Design and Technologies Inc.



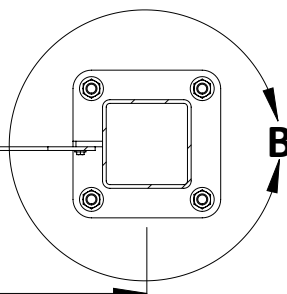
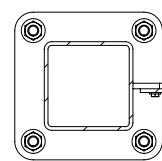
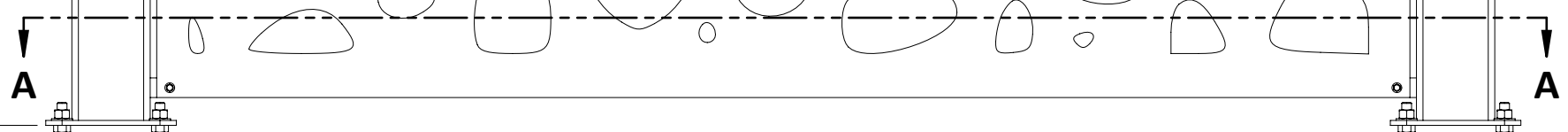
SHEET SIZE:
C

DRAWN:	TP	PROJECT NAME:	PRIVACY SCREENS (4 X 6)		WT:	144.3 lbs
CHECKED:	NB	PROJECT #:	N/A	FINISH:	POWDERCOAT	
APP:	NB	TITLE:	RIVER ROCK RENDER			
DATE:	2021-11-26	SHEET 1 OF 4	DWG #:	N/A - 1	REV:	0

73 1/16"



1/8" STEEL
PRIVACY SCREEN

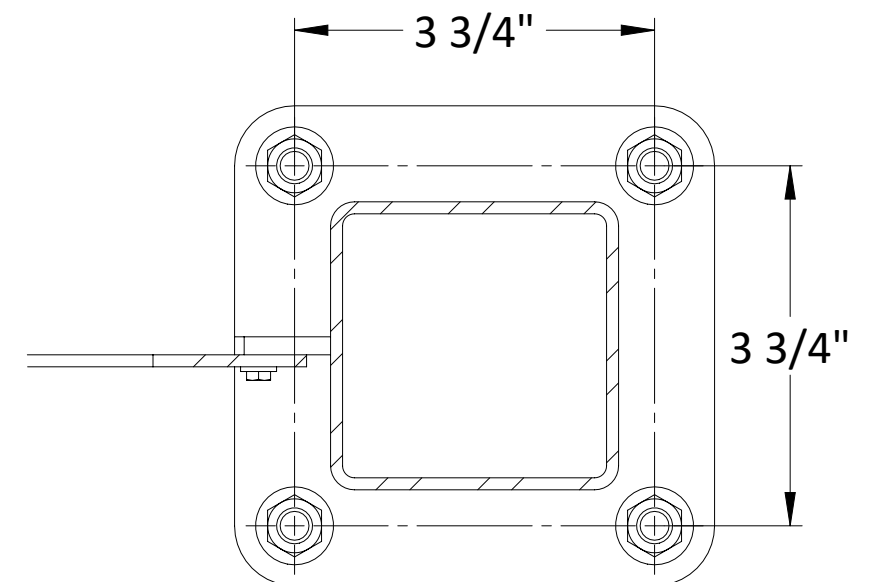


51 1/2"

SECTION A-A

3"

5"



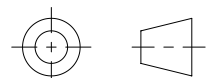
DETAIL B

3/8" ANCHORS



The information included in this document is proprietary and shall not be reproduced, transferred, or disclosed to others, for any purpose whatsoever, without the written authorization of Quantum Design and Technologies Inc.

PROJECTION:



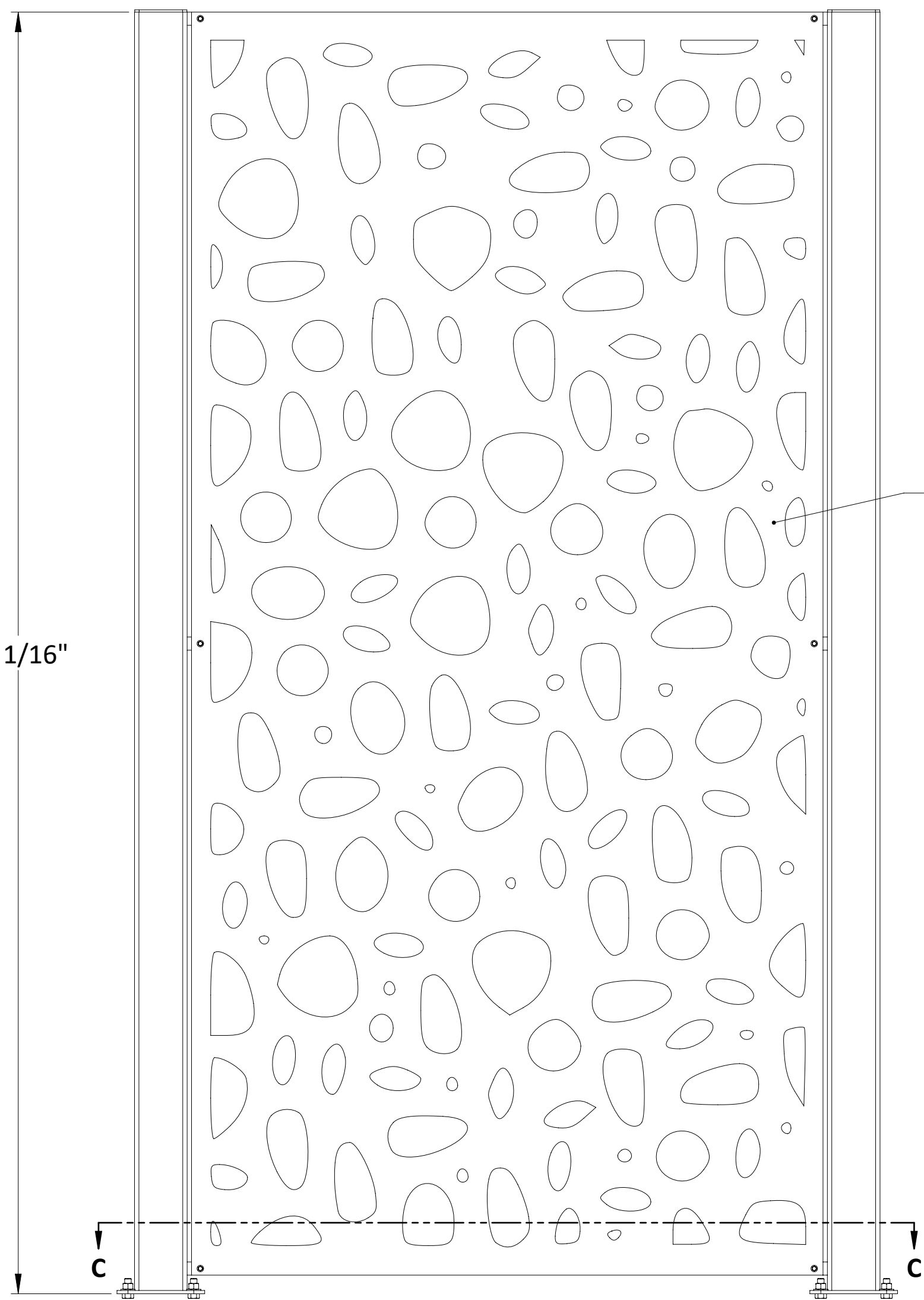
SHEET SIZE:

C

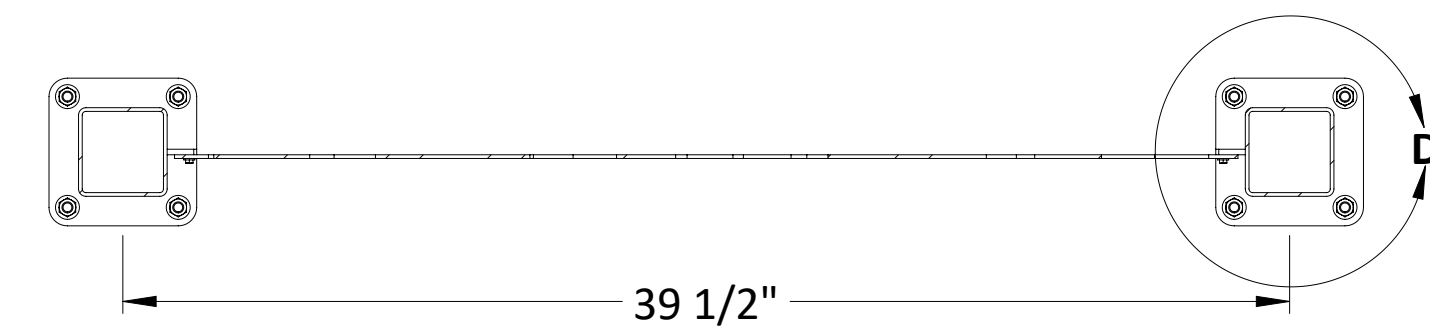
DRAWN: TP
 CHECKED: NB
 APP: NB
 DATE: 2021-11-26

PROJECT NAME:	PRIVACY SCREENS (4 X 6)	WT:	144.3 lbs
PROJECT #:	N/A	FINISH:	POWDERCOAT
TITLE:	RIVER ROCK 3-VIEW (4 X 6)		
SHEET 2 OF 4	DWG #:	N/A - 2	REV: 0

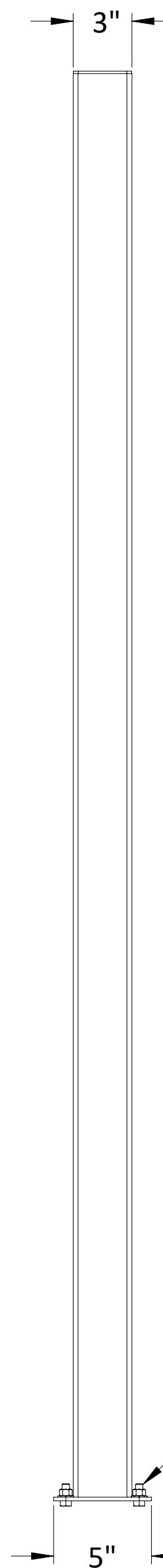
73 1/16"



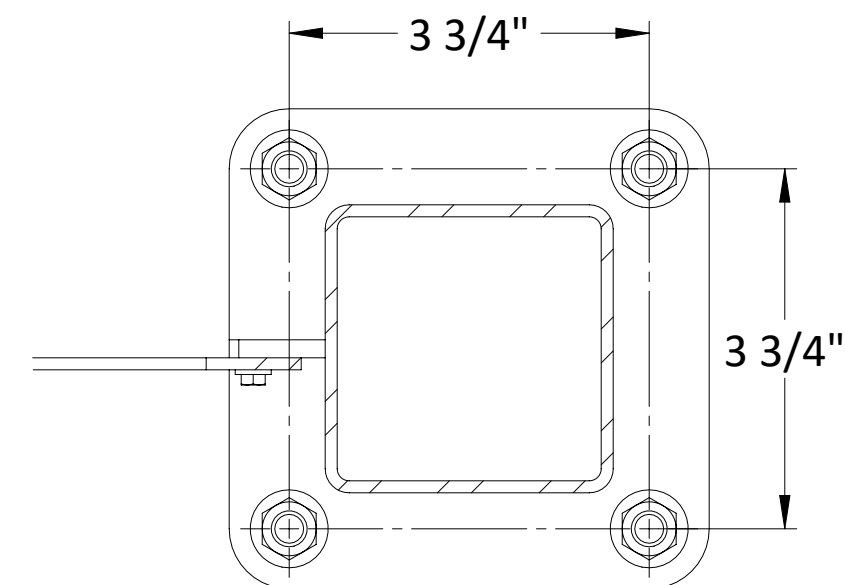
1/8" STEEL
PRIVACY SCREEN



SECTION C-C



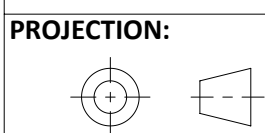
3/8" ANCHORS



DETAIL D

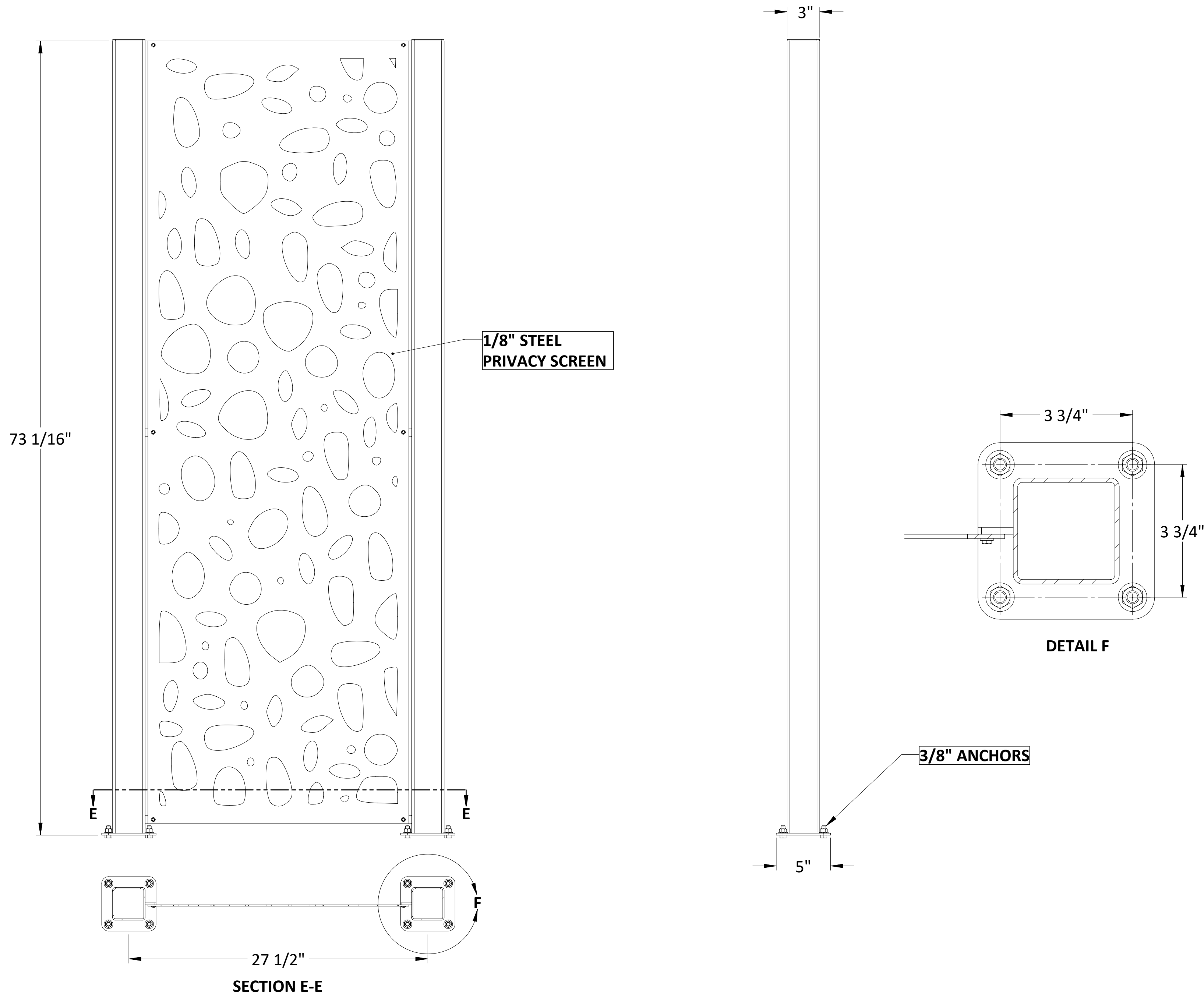


The information included in this document is proprietary and shall not be reproduced, transferred, or disclosed to others, for any purpose whatsoever, without the written authorization of Quantum Design and Technologies Inc.



SHEET SIZE:
C

DRAWN:	TP	PROJECT NAME:	PRIVACY SCREENS (4 X 6)	WT:	125.1 lbs
CHECKED:	NB	PROJECT #:	N/A	FINISH:	POWDERCOAT
APP:	NB	TITLE:	RIVER ROCK 3-VIEW (3 X 6)		
DATE:	2021-11-26	SHEET 3 OF 4	DWG #:	N/A - 3	REV: 0



1/8" STEEL
PRIVACY SCREEN

3/8" ANCHORS

DETAIL F

SECTION E-E



The information included in this document is proprietary and shall not be reproduced, transferred, or disclosed to others, for any purpose whatsoever, without the written authorization of Quantum Design and Technologies Inc.

PROJECTION:

SHEET SIZE:
C

DRAWN:	TP	PROJECT NAME:	PRIVACY SCREENS (4 X 6)	WT:	104.5 lbs
CHECKED:	NB	PROJECT #:	N/A	FINISH:	POWDERCOAT
APP:	NB	TITLE:	RIVER ROCK 3-VIEW (2 X 6)		
DATE:	2021-11-26	SHEET 4 OF 4	DWG #:	N/A - 4	REV: 0

ALL DIMENSIONS IN INCHES UNLESS OTHERWISE NOTED