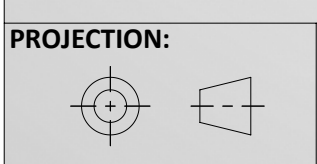




The information included in this document is proprietary and shall not be reproduced, transferred, or disclosed to others, for any purpose whatsoever, without the written authorization of Quantum Design and Technologies Inc.



SHEET SIZE:  
**C**

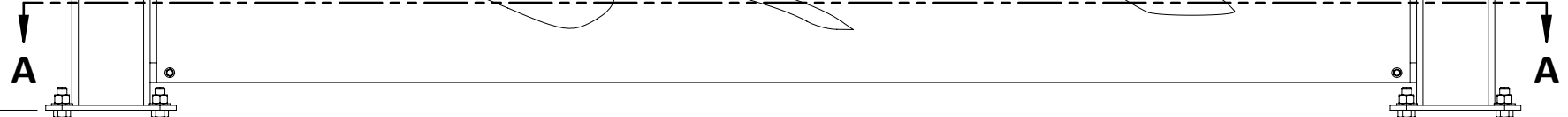
DRAWN:	<b>TP</b>	PROJECT NAME:	<b>PRIVACY SCREENS (4 X 6)</b>	WT:	<b>158.5 lbs</b>
CHECKED:	<b>NB</b>	PROJECT #:	<b>N/A</b>	FINISH:	<b>POWDERCOAT</b>
APP:	<b>NB</b>	TITLE:	<b>LEAVES RENDER</b>		
DATE:	<b>2021-11-26</b>	SHEET 1 OF 4	DWG #:	<b>N/A - 1</b>	REV: <b>0</b>

ALL DIMENSIONS IN INCHES UNLESS OTHERWISE NOTED

73 1/16"

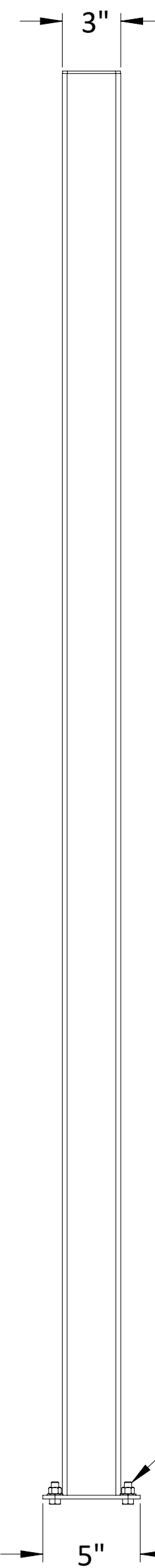


1/8" STEEL  
PRIVACY SCREEN



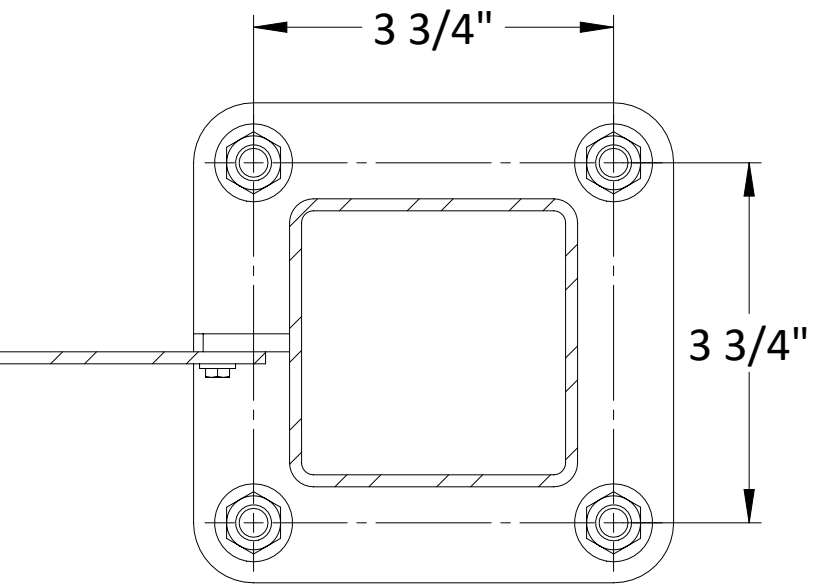
51 1/2"

SECTION A-A



3"

5"

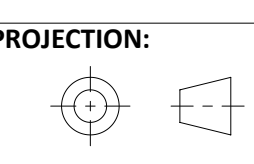


DETAIL B

3/8" ANCHORS



The information included in this document is proprietary and shall not be reproduced, transferred, or disclosed to others, for any purpose whatsoever, without the written authorization of Quantum Design and Technologies Inc.

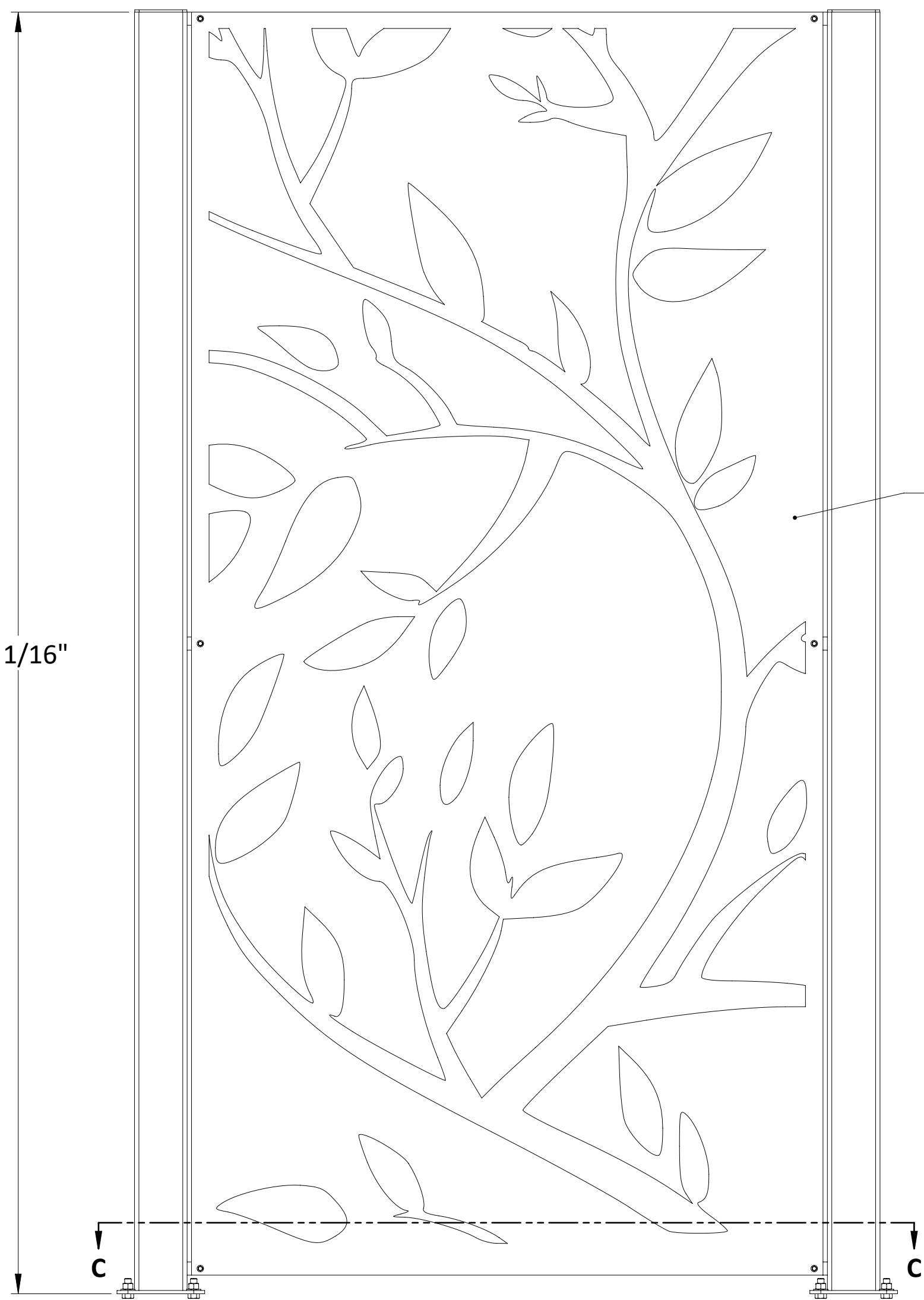


SHEET SIZE:  
**C**

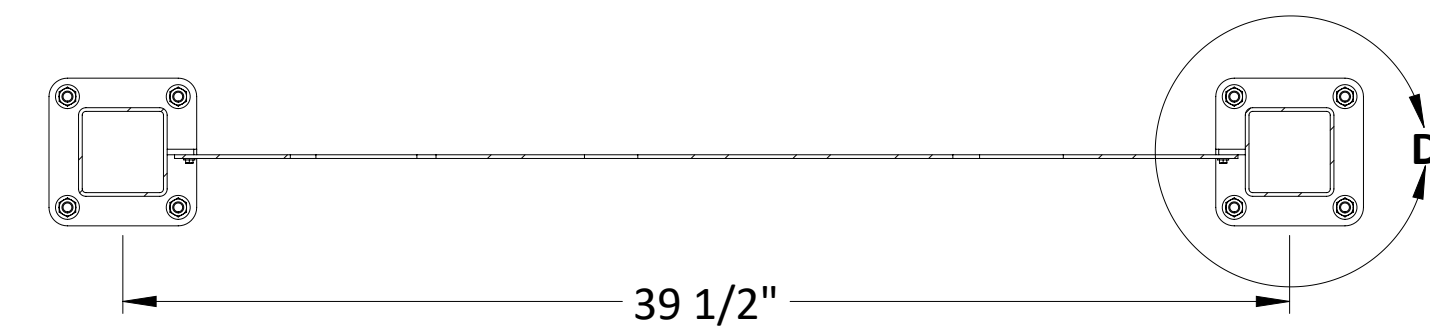
DRAWN:	TP	PROJECT NAME:	PRIVACY SCREENS (4 X 6)		WT:	158.5 lbs
CHECKED:	NB	PROJECT #:	N/A	FINISH:	POWDERCOAT	
APP:	NB	TITLE:	LEAVES 3-VIEW (4 X 6)			
DATE:	2021-11-26	SHEET 2 OF 4	DWG #:	N/A - 2	REV:	0

ALL DIMENSIONS IN INCHES UNLESS OTHERWISE NOTED

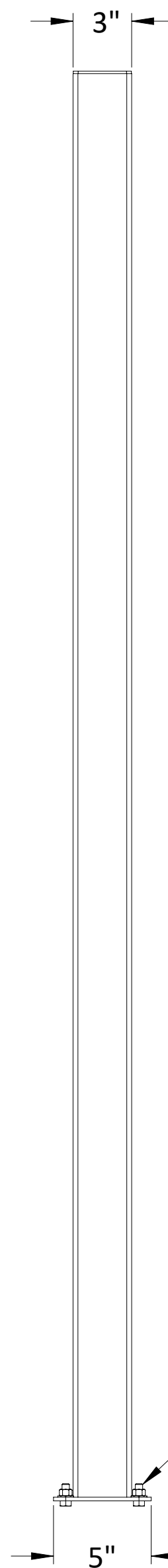
73 1/16"



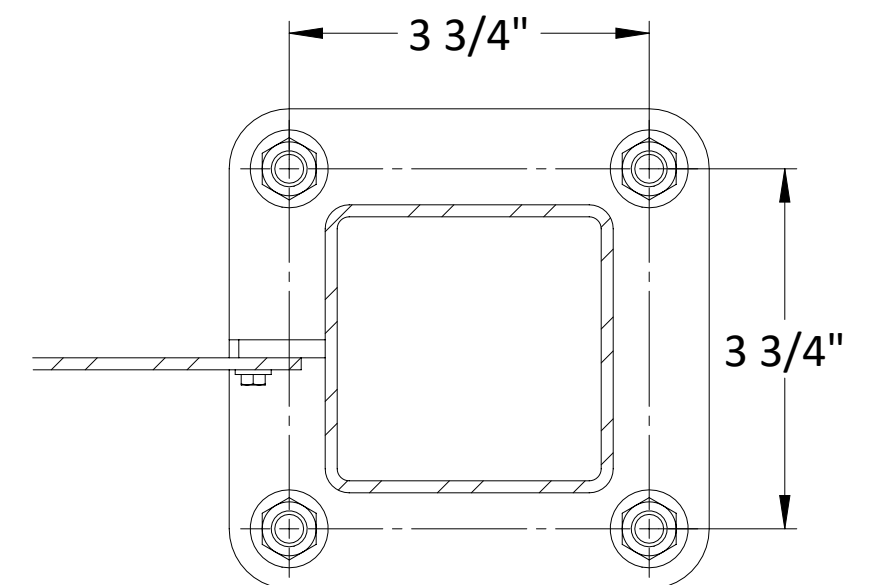
1/8" STEEL  
PRIVACY SCREEN



SECTION C-C



3/8" ANCHORS

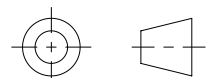


DETAIL D



The information included in this document is proprietary and shall not be reproduced, transferred, or disclosed to others, for any purpose whatsoever, without the written authorization of Quantum Design and Technologies Inc.

PROJECTION:



SHEET SIZE:

C

DRAWN:

TP

PROJECT NAME:

PRIVACY SCREENS (4 X 6)

WT: 132.1 lbs

CHECKED:

NB

PROJECT #:

N/A

FINISH:

POWDERCOAT

APP:

NB

TITLE:

LEAVES 3-VIEW (3 X 6)

DATE:

2021-11-26

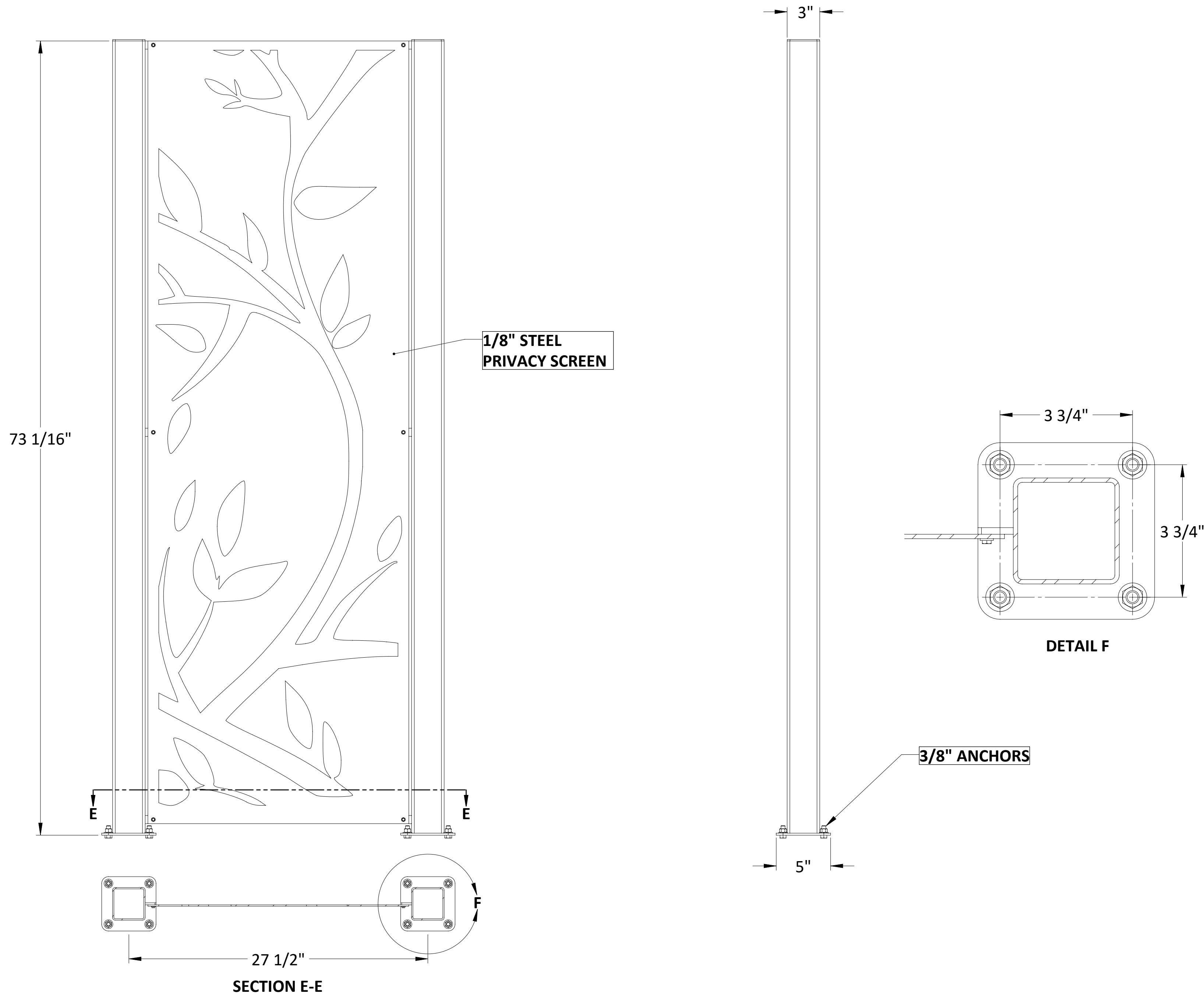
SHEET 3 OF 4

DWG #:

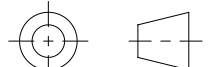
N/A - 3

REV:

0



The information included in this document is proprietary and shall not be reproduced, transferred, or disclosed to others, for any purpose whatsoever, without the written authorization of Quantum Design and Technologies Inc.

PROJECTION: 

SHEET SIZE: **C**

DRAWN: <b>TP</b>	PROJECT NAME: <b>PRIVACY SCREENS (4 X 6)</b>	WT: <b>109.2 lbs</b>
CHECKED: <b>NB</b>	PROJECT #: <b>N/A</b>	FINISH: <b>POWDERCOAT</b>
APP: <b>NB</b>	TITLE: <b>LEAVES 3-VIEW (2 X 6)</b>	
DATE: <b>2021-11-26</b>	SHEET <b>4 OF 4</b>	DWG #: <b>N/A - 4</b> REV: <b>0</b>

ALL DIMENSIONS IN INCHES UNLESS OTHERWISE NOTED