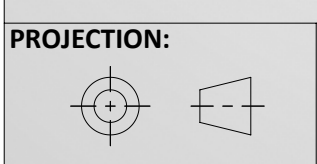


The information included in this document is proprietary and shall not be reproduced, transferred, or disclosed to others, for any purpose whatsoever, without the written authorization of Quantum Design and Technologies Inc.

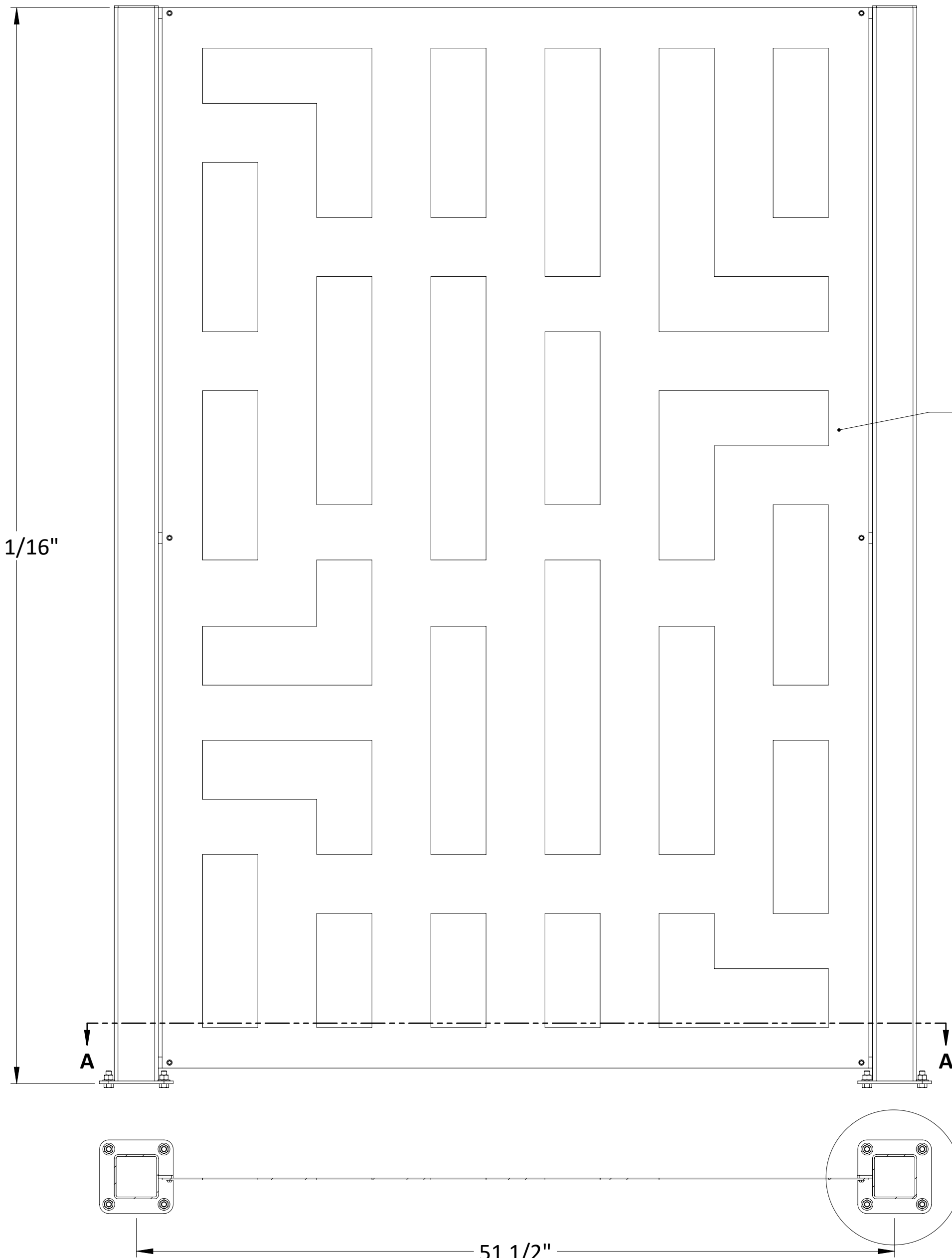


SHEET SIZE:
C

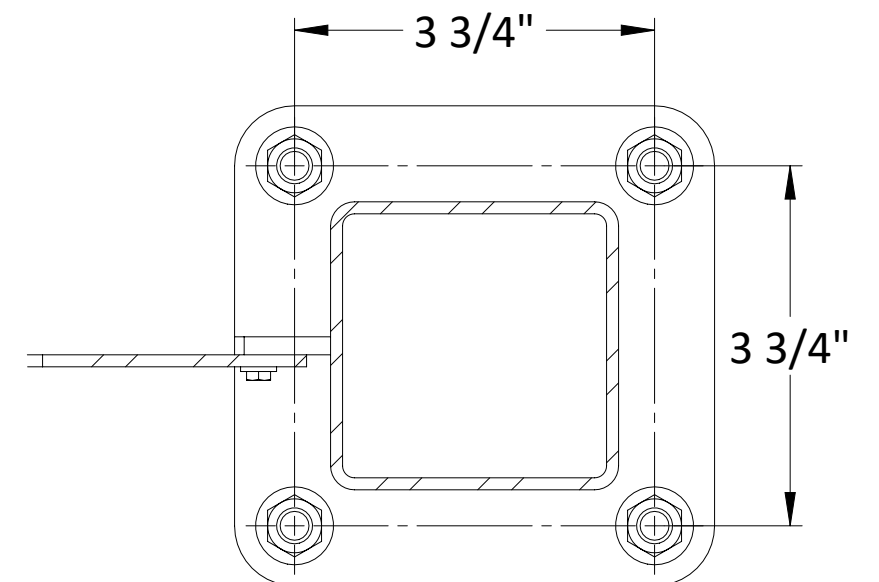
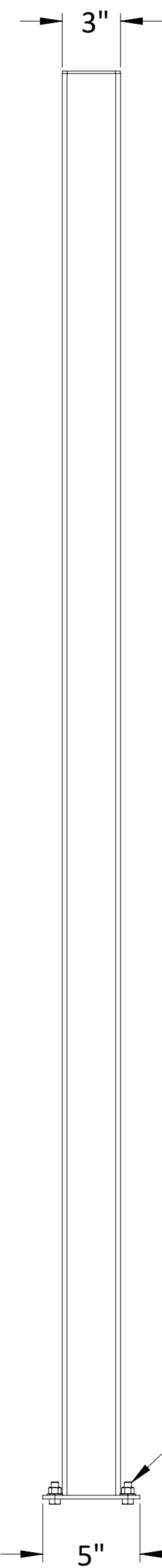
DRAWN:	TP	PROJECT NAME:	PRIVACY SCREENS (4 X 6)		WT:	139.6 lbs
CHECKED:	NB	PROJECT #:	N/A	FINISH:	POWDERCOAT	
APP:	NB	TITLE:	JIGSAW RENDER			
DATE:	2021-11-26	SHEET 1 OF 4	DWG #:	N/A - 1	REV:	0

ALL DIMENSIONS IN INCHES UNLESS OTHERWISE NOTED

73 1/16"

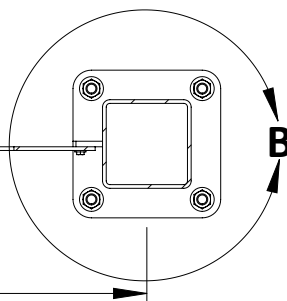
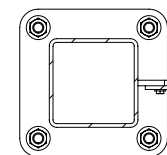


1/8" STEEL
PRIVACY SCREEN



DETAIL B

3/8" ANCHORS



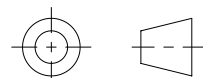
51 1/2"

SECTION A-A



The information included in this document is proprietary and shall not be reproduced, transferred, or disclosed to others, for any purpose whatsoever, without the written authorization of Quantum Design and Technologies Inc.

PROJECTION:



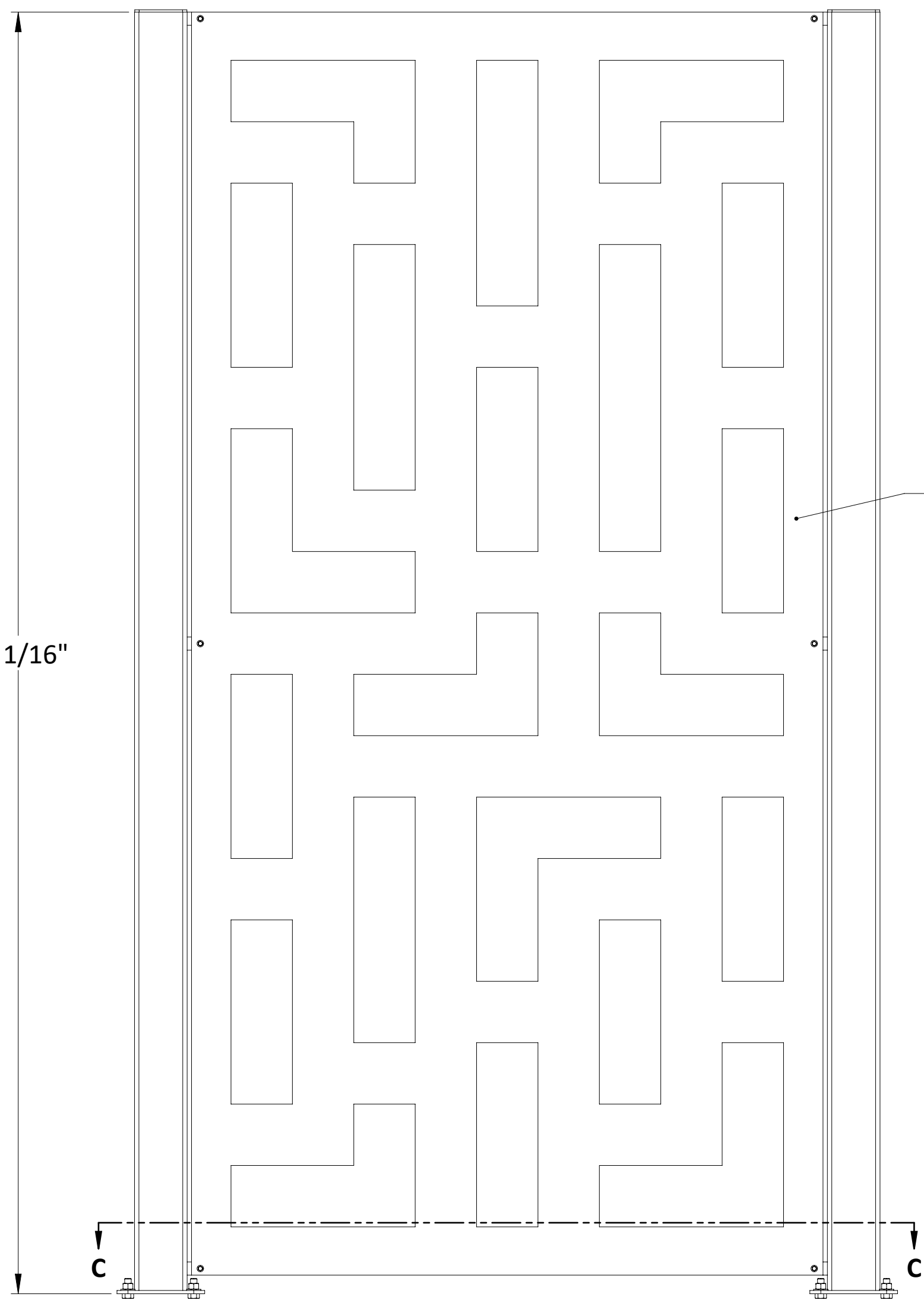
SHEET SIZE:

C

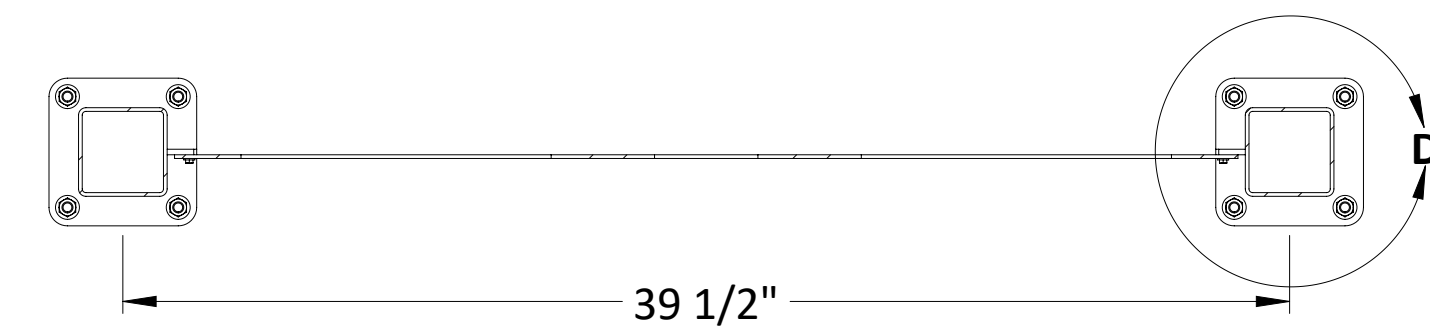
DRAWN: TP
CHECKED: NB
APP: NB
DATE: 2021-11-26

PROJECT NAME:	PRIVACY SCREENS (4 X 6)	WT:	139.6 lbs
PROJECT #:	N/A	FINISH:	POWDERCOAT
TITLE:	JIGSAW 3-VIEW (4 X 6)		
SHEET 2 OF 4	DWG #:	N/A - 2	REV: 0

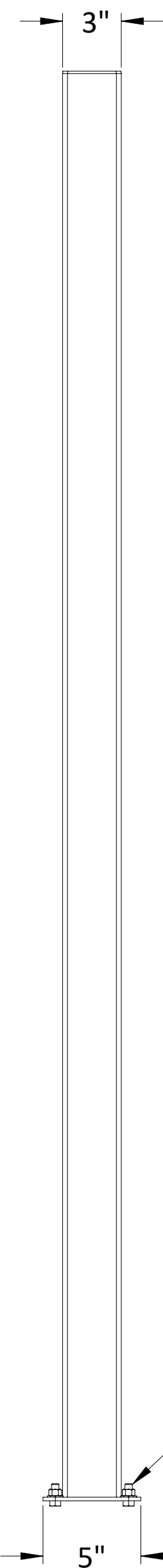
73 1/16"



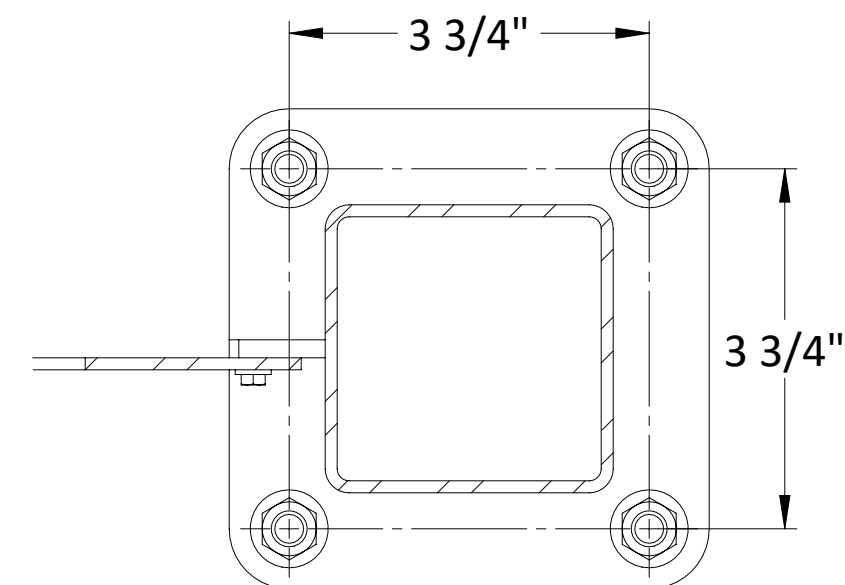
1/8" STEEL
PRIVACY SCREEN



SECTION C-C



3/8" ANCHORS

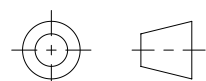


DETAIL D



The information included in this document is proprietary and shall not be reproduced, transferred, or disclosed to others, for any purpose whatsoever, without the written authorization of Quantum Design and Technologies Inc.

PROJECTION:



SHEET SIZE:

C

DRAWN:

TP

PROJECT NAME:

PRIVACY SCREENS (4 X 6)

WT: 118.8 lbs

CHECKED:

NB

PROJECT #:

N/A

FINISH:

POWDERCOAT

APP:

NB

TITLE:

JIGSAW 3-VIEW (3 X 6)

DATE:

2021-11-26

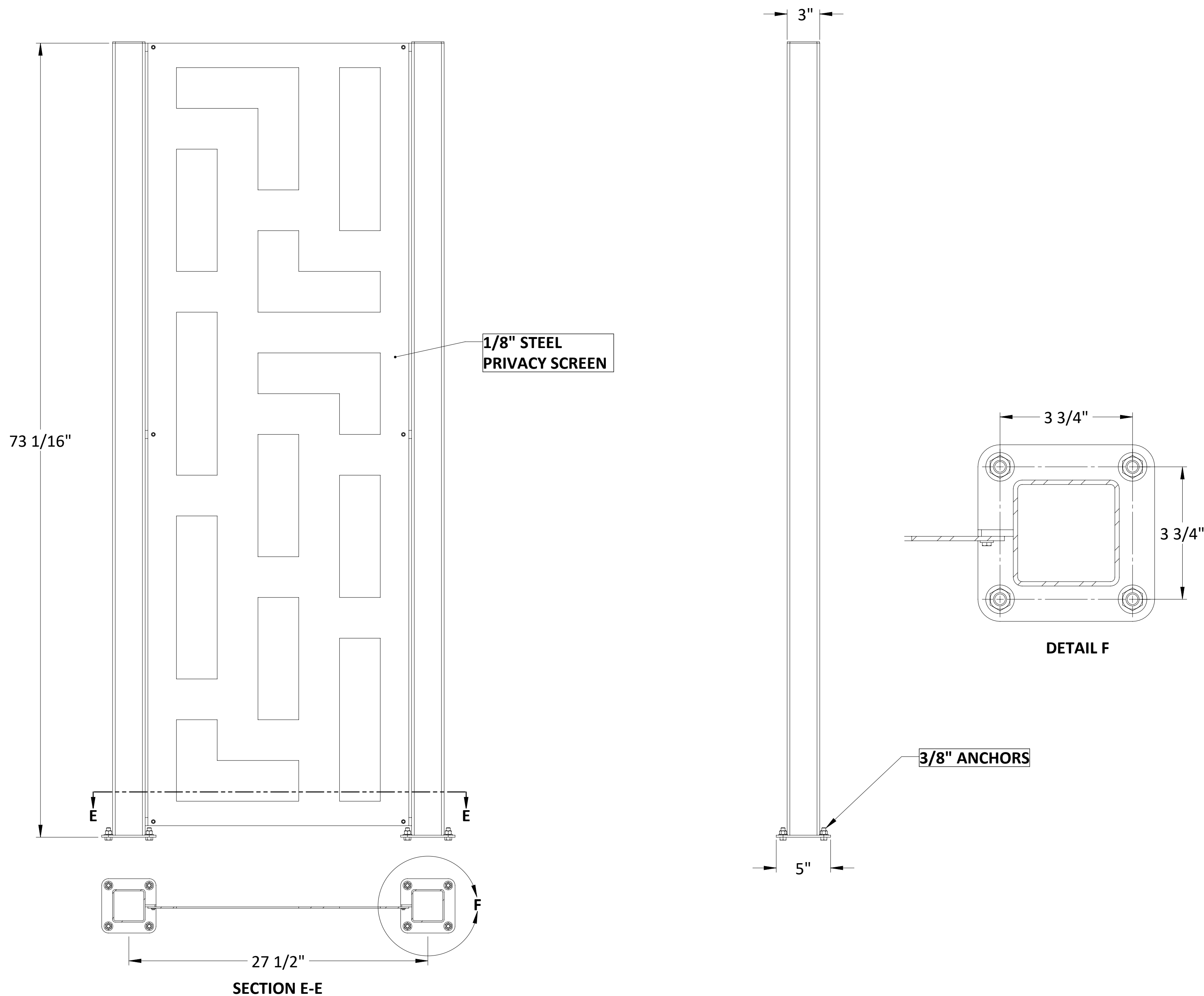
SHEET 3 OF 4

DWG #:

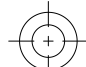
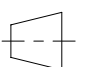
N/A - 3

REV:

0



The information included in this document is proprietary and shall not be reproduced, transferred, or disclosed to others, for any purpose whatsoever, without the written authorization of Quantum Design and Technologies Inc.

PROJECTION:  

SHEET SIZE: **C**

DRAWN: TP	PROJECT NAME: PRIVACY SCREENS (4 X 6)	WT: 100.1 lbs
CHECKED: NB	PROJECT #: N/A	FINISH: POWDERCOAT
APP: NB	TITLE: JIGSAW 3-VIEW (2 X 6)	
DATE: 2021-11-26	SHEET 4 OF 4	DWG #: N/A - 4 REV: 0

ALL DIMENSIONS IN INCHES UNLESS OTHERWISE NOTED