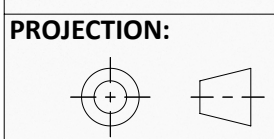




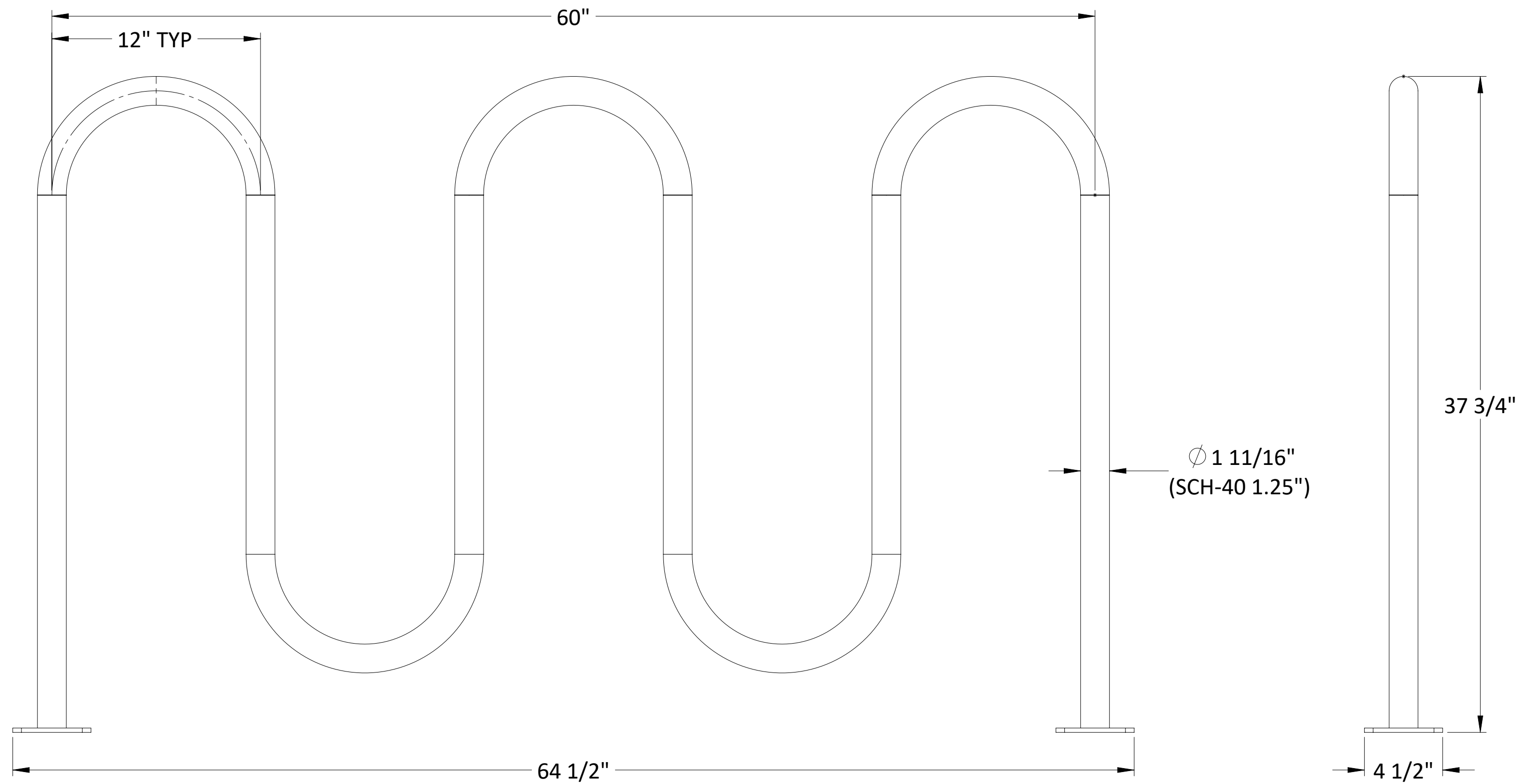
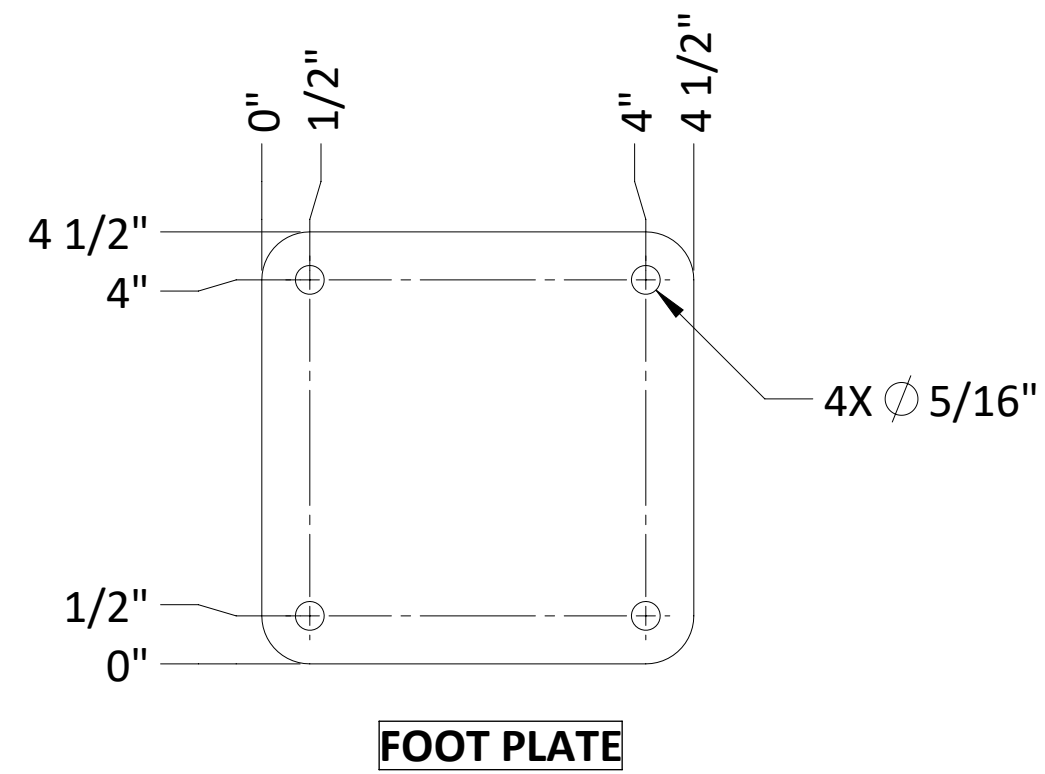
The information included in this document is proprietary and shall not be reproduced, transferred, or disclosed to others, for any purpose whatsoever, without the written authorization of Quantum Design and Technologies Inc.



SHEET SIZE:
C

DRAWN:	TP	PROJECT NAME:	BIKE RACK		WT:	48.0 lbs
CHECKED:	BJ	PROJECT #:	QTMS 20-005	FINISH:	POWDERCOATED	
APP:	NB	TITLE:	RENDER			
DATE:	2021-10-04	SHEET 1 OF 2	DWG #:	QTMS 20-005 - 1	REV:	0

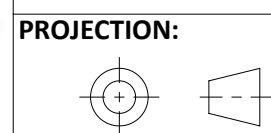
ALL DIMENSIONS IN INCHES UNLESS OTHERWISE NOTED



NOTE: CSA 350W OR EQUIVALENT GRADE STEEL



The information included in this document is proprietary and shall not be reproduced, transferred, or disclosed to others, for any purpose whatsoever, without the written authorization of Quantum Design and Technologies Inc.



SHEET SIZE:
C

DRAWN:	TP	PROJECT NAME:	BIKE RACK		WT:	48.0 lbs
CHECKED:	BJ	PROJECT #:	QTMS 20-005	FINISH:	POWDERCOATED	
APP:	NB	TITLE:	2-VIEW			
DATE:	2021-10-04	SHEET 2 OF 2	DWG #:	QTMS 20-005 - 2		REV: 0