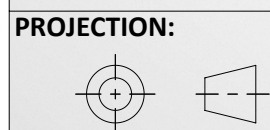




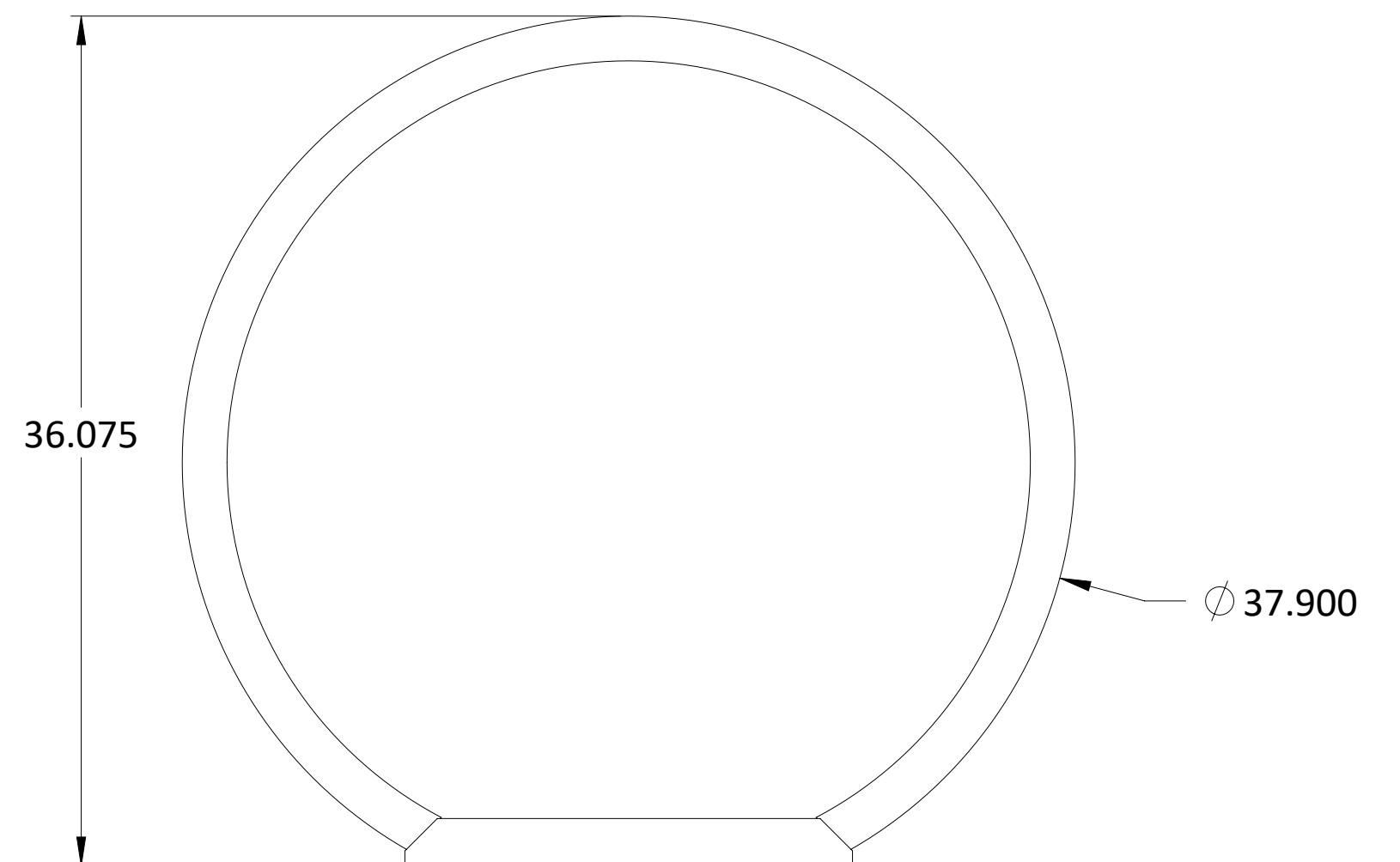
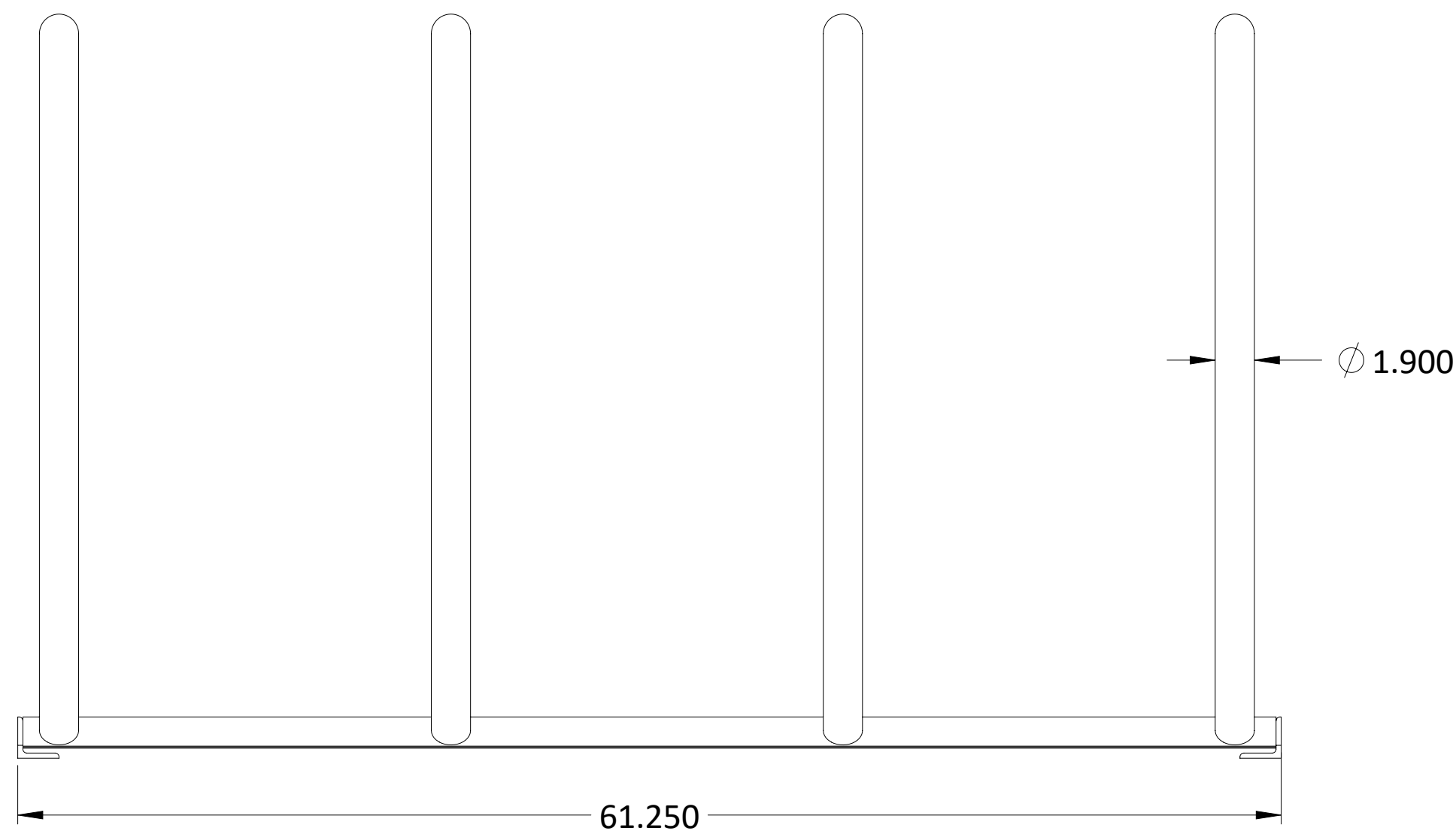
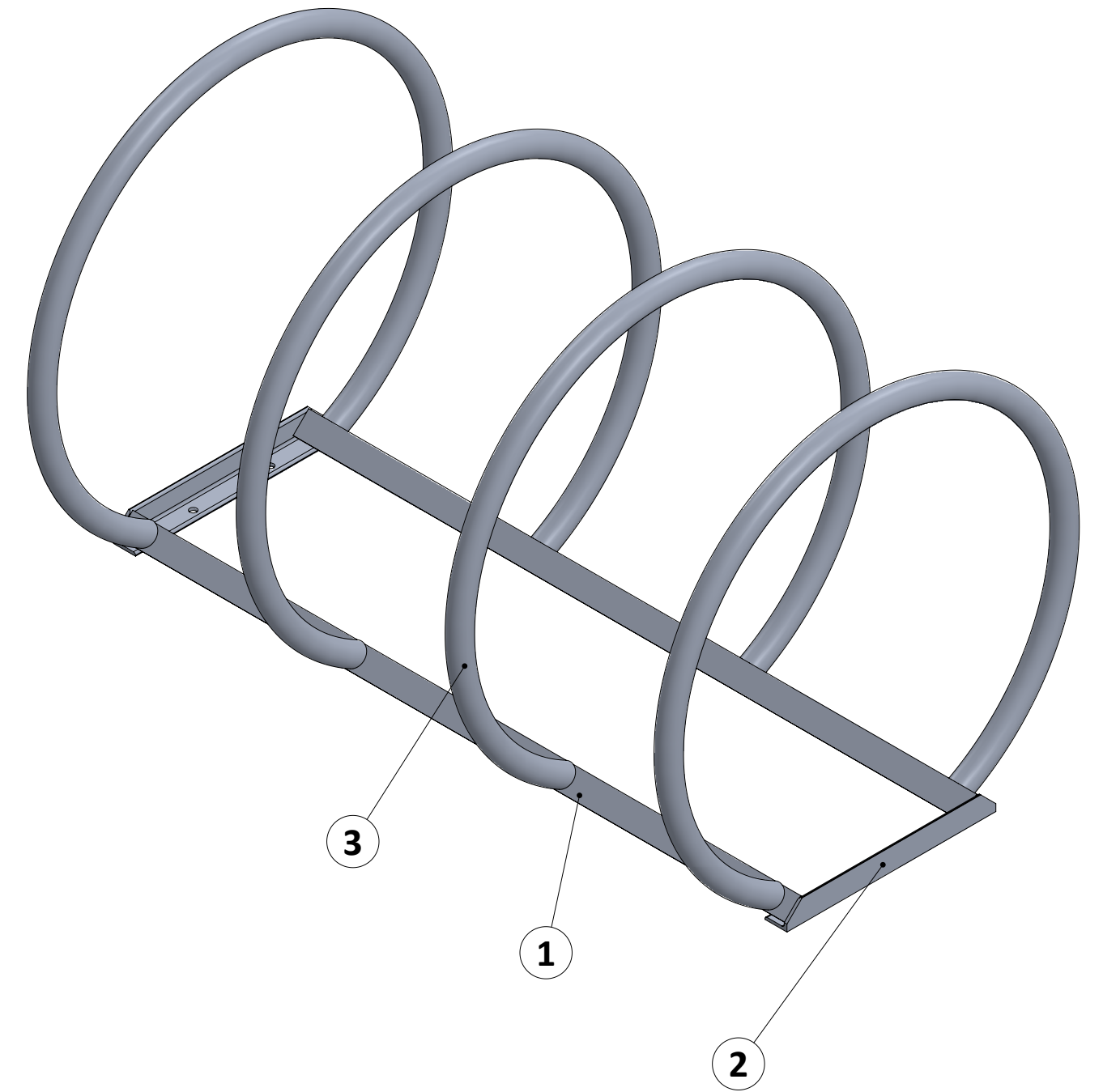
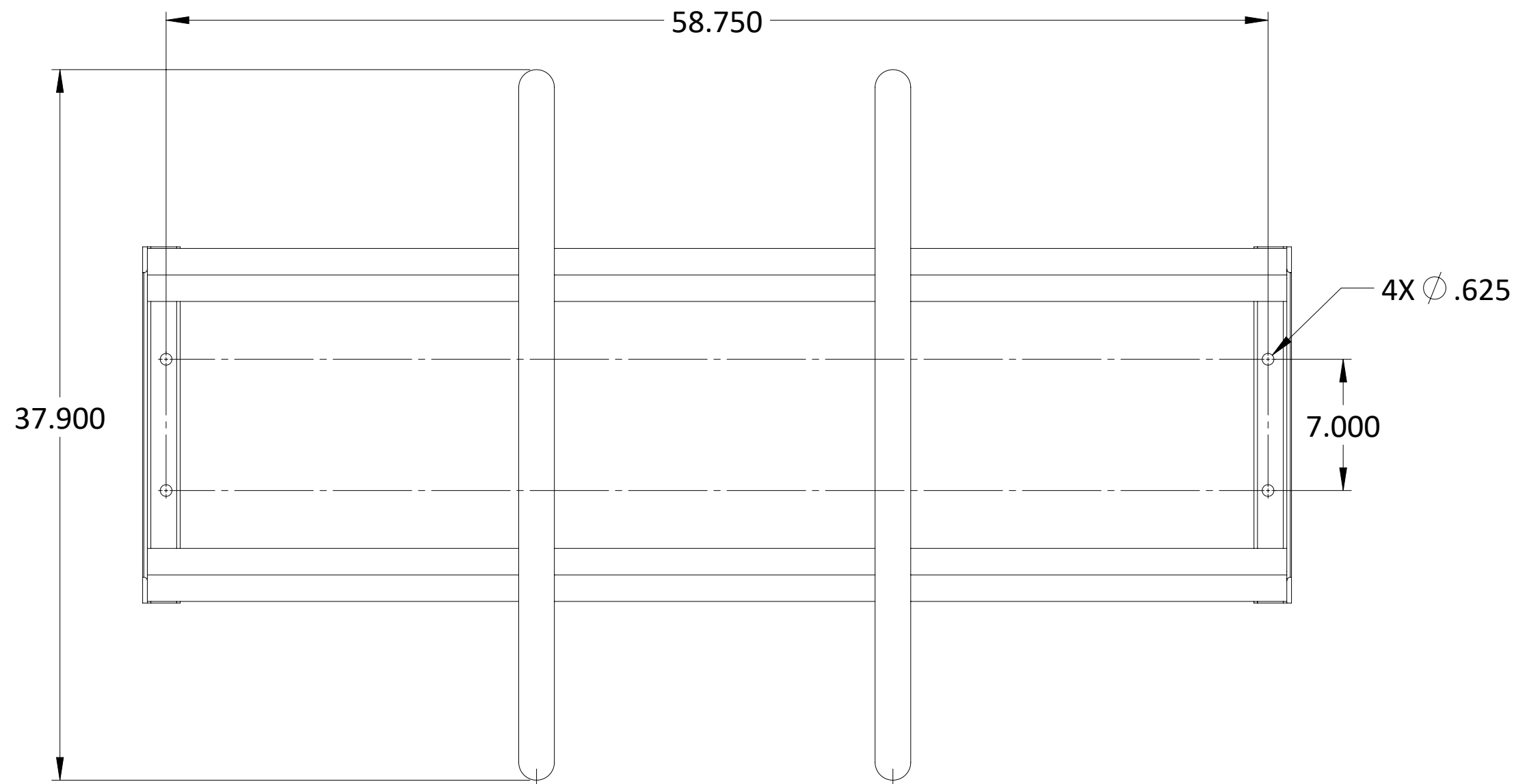
The information included in this document is proprietary and shall not be reproduced, transferred, or disclosed to others, for any purpose whatsoever, without the written authorization of Quantum Design and Technologies Inc.



SHEET SIZE:  
**C**

DRAWN:	<b>TP</b>	PROJECT NAME:	<b>N/A</b>	WT:	<b>44.0lbs</b>
CHECKED:	<b>MG</b>	PROJECT #:	<b>N/A</b>	FINISH:	<b>POWDERCOAT</b>
APP:	<b>MG</b>	TITLE:	<b>BICYCLE RACK</b>		
DATE:	<b>2020-12-14</b>	SHEET 1 OF 2	DWG #:	<b>QTMR20008-001</b>	REV: <b>0</b>

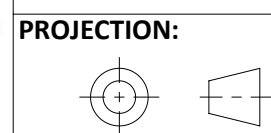
ITEM NO.	QTY.	DESCRIPTION	LENGTH
1	2	L 2 x 2 x 1/4	60.750
2	2	L 2 x 2 x 1/4	19.000
3	4	PIPE 1 1/2 SCH40	95.620



**NOTE:**  
- 6061 T6 ALUMINUM FOR ANGLES AND PIPES  
- BLACK POWDERCOATED SURFACE FINISH



The information included in this document is proprietary and shall not be reproduced, transferred, or disclosed to others, for any purpose whatsoever, without the written authorization of Quantum Design and Technologies Inc.



SHEET SIZE:  
**C**

DRAWN:	TP	PROJECT NAME:	N/A	WT:	44.0lbs
CHECKED:	MG	PROJECT #:	N/A	FINISH:	POWDERCOAT
APP:	MG	TITLE:	BICYCLE RACK		
DATE:	2020-12-14	SHEET 2 OF 2	DWG #:	QTMR20008-001	REV: 0