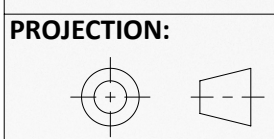


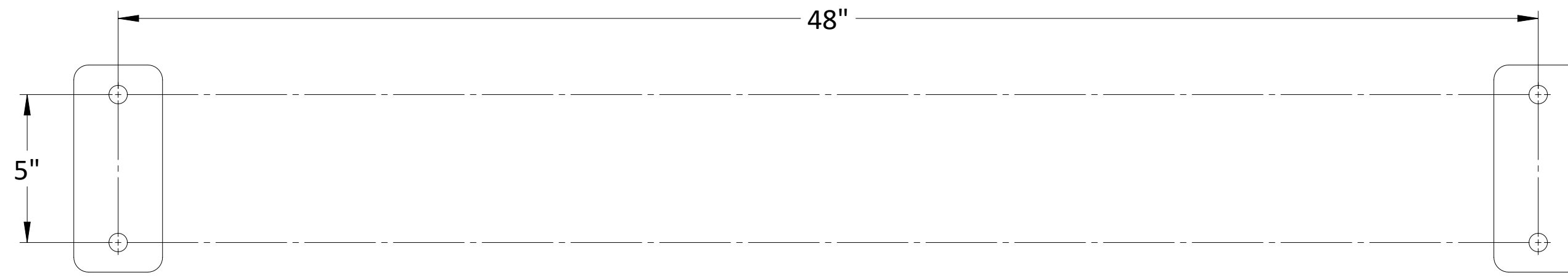
The information included in this document is proprietary and shall not be reproduced, transferred, or disclosed to others, for any purpose whatsoever, without the written authorization of Quantum Design and Technologies Inc.



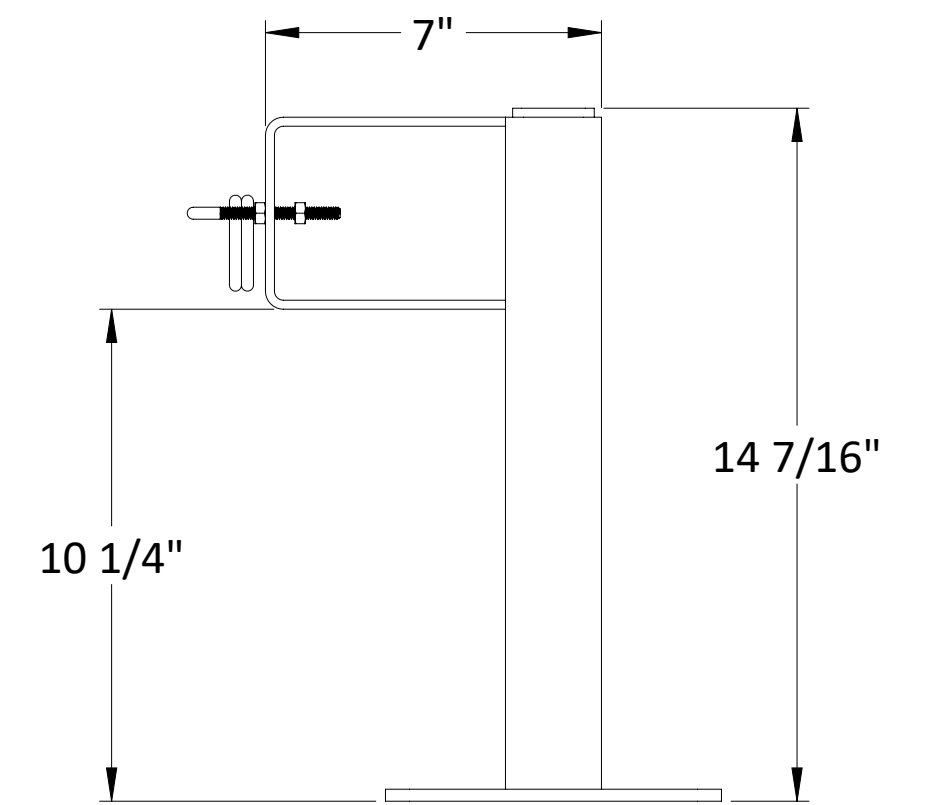
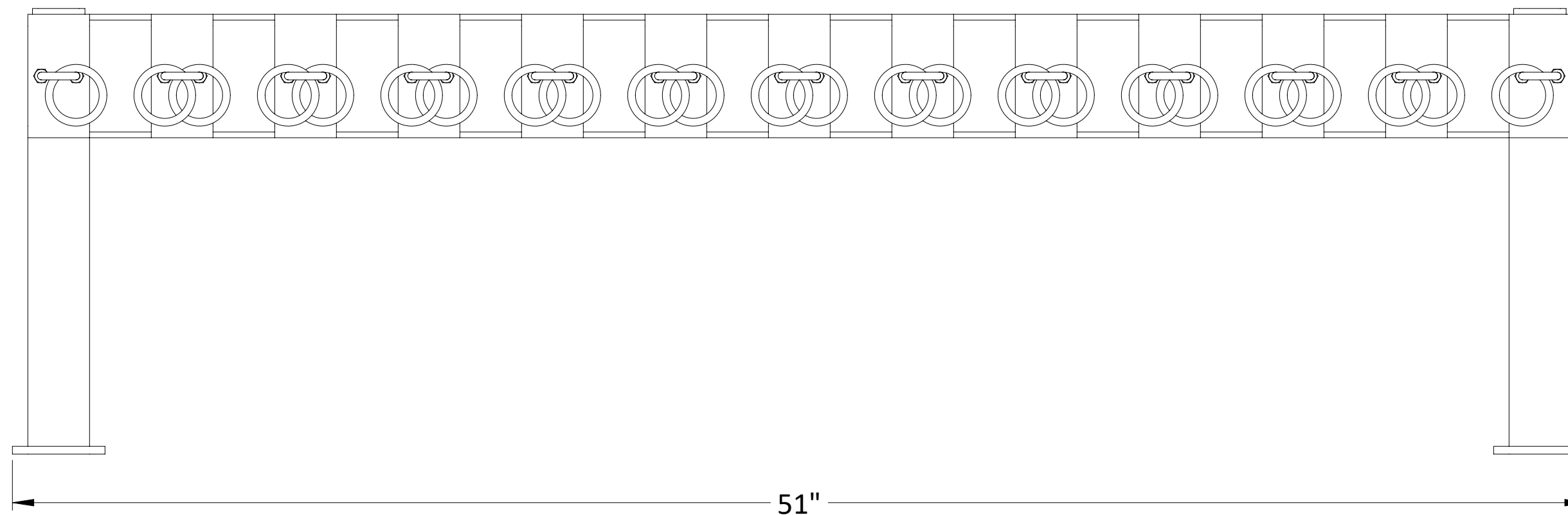
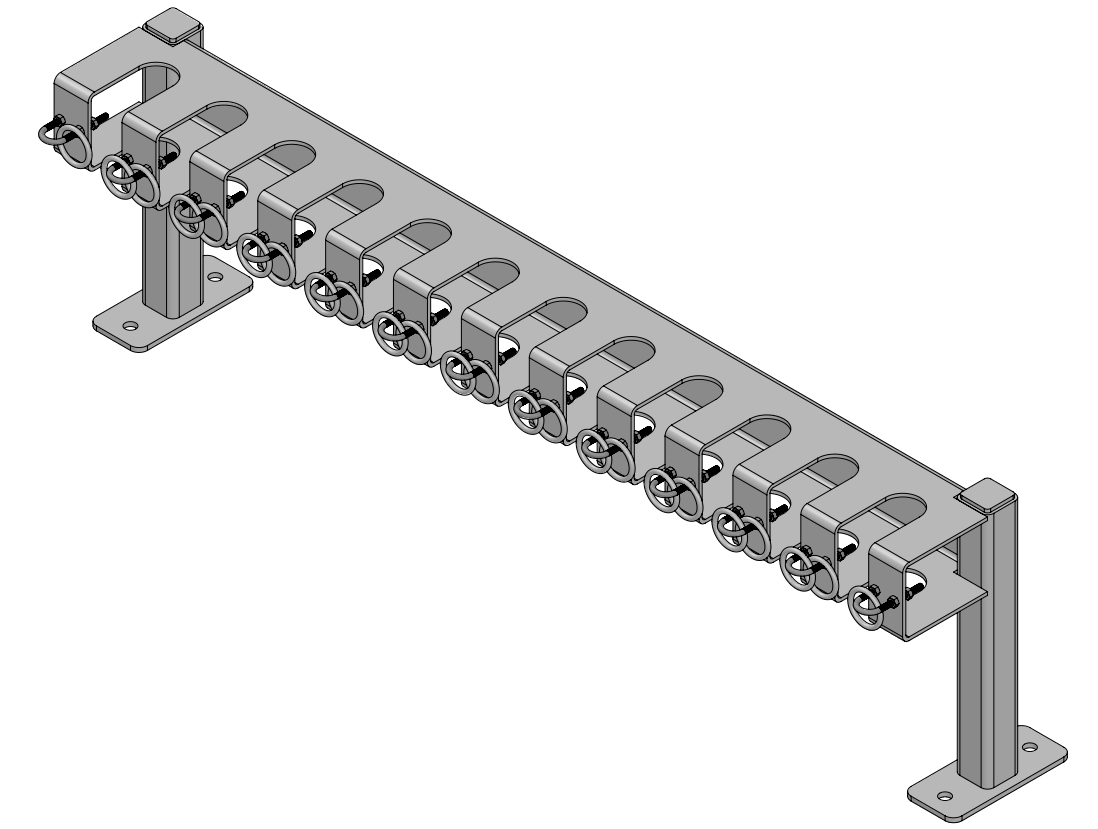
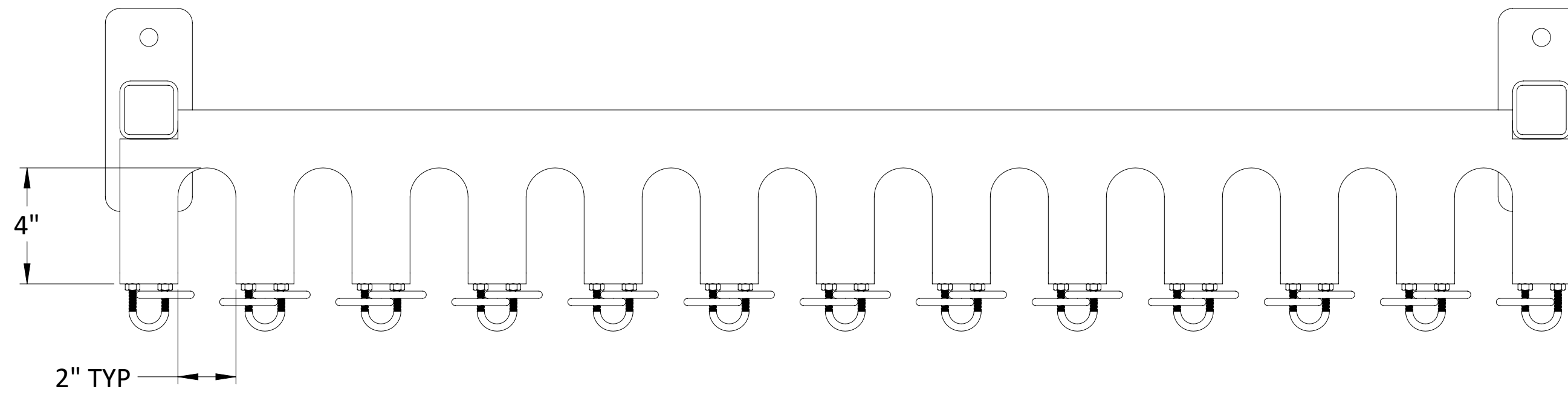
SHEET SIZE:
C

DRAWN:	TP	PROJECT NAME:	SKATEBOARD RACK		WT:	47.9 lbs
CHECKED:	BJ	PROJECT #:	QTMR 20-006	FINISH:	POWDERCOATED	
APP:	NB	TITLE:	RENDER			
DATE:	2021-10-04	SHEET 1 OF 2	DWG #:	QTMR 20-006 - 1		REV: 0

ALL DIMENSIONS IN INCHES UNLESS OTHERWISE NOTED



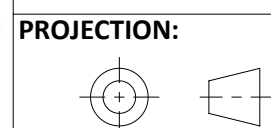
FOOT PLATES



NOTE: MAKE USING CSA 350W OR EQUIVELANT STEEL



The information included in this document is proprietary and shall not be reproduced, transferred, or disclosed to others, for any purpose whatsoever, without the written authorization of Quantum Design and Technologies Inc.



SHEET SIZE:
C

DRAWN:	TP	PROJECT NAME:	SKATEBOARD RACK		WT:	49.9 lbs
CHECKED:	BJ	PROJECT #:	QTMR 20-006	FINISH:	POWDERCOATED	
APP:	NB	TITLE:	3-VIEW			
DATE:	2021-10-04	SHEET 2 OF 2	DWG #:	QTMR 20-006 - 2		REV: 0