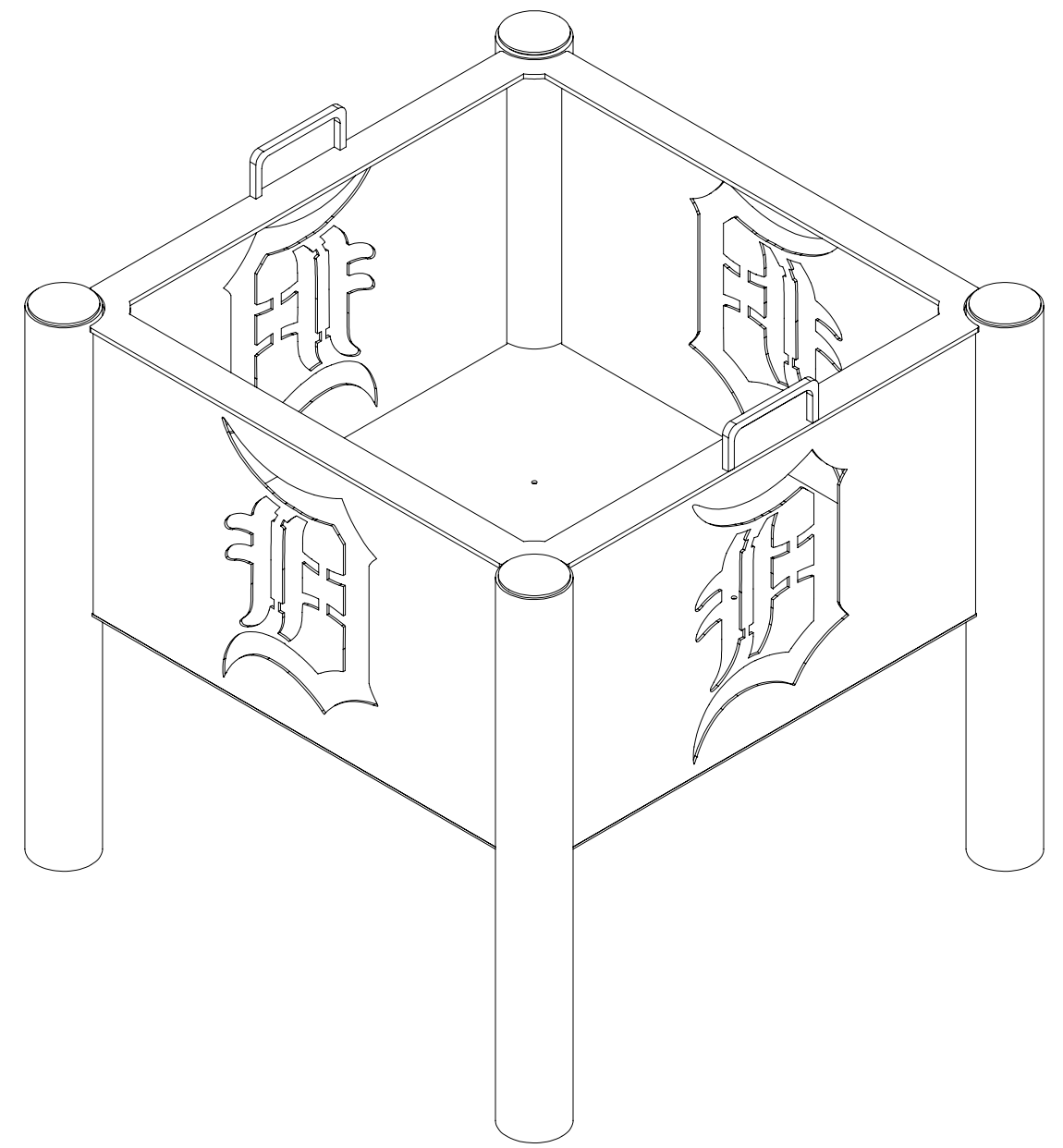
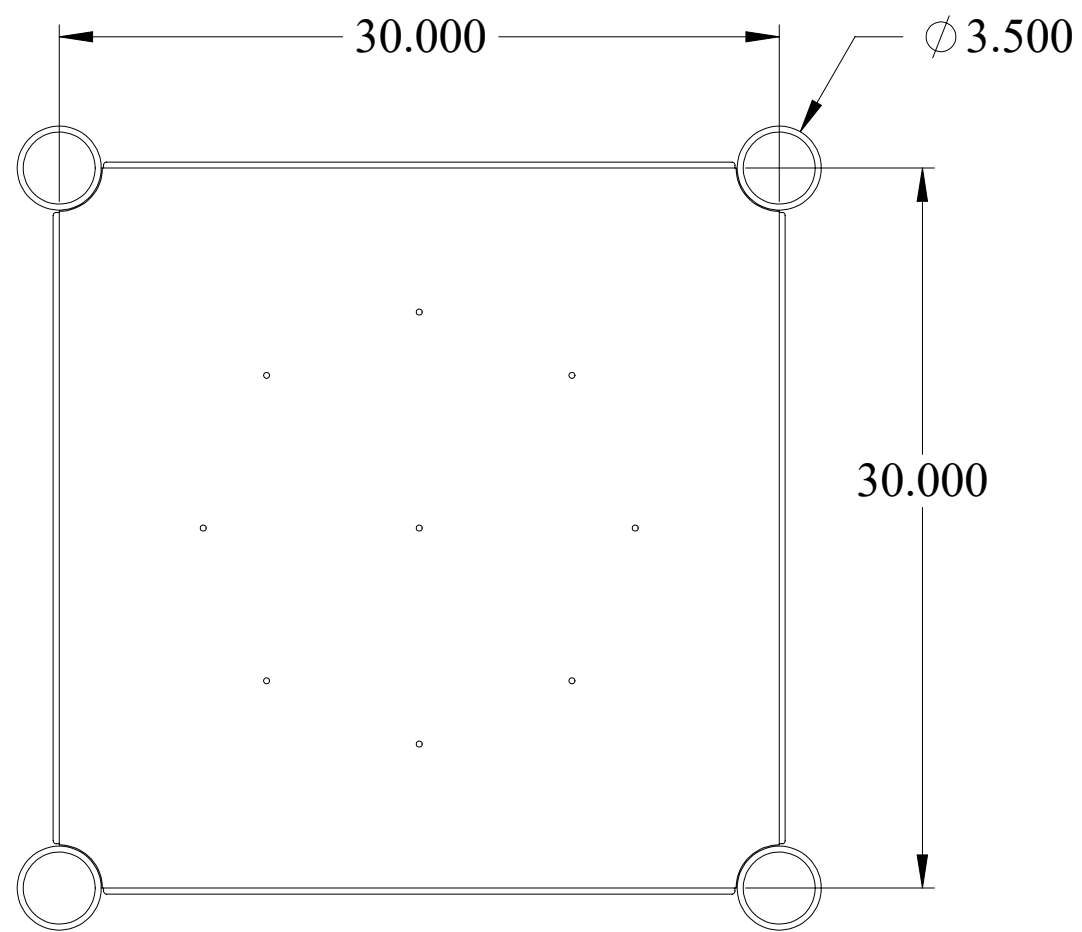
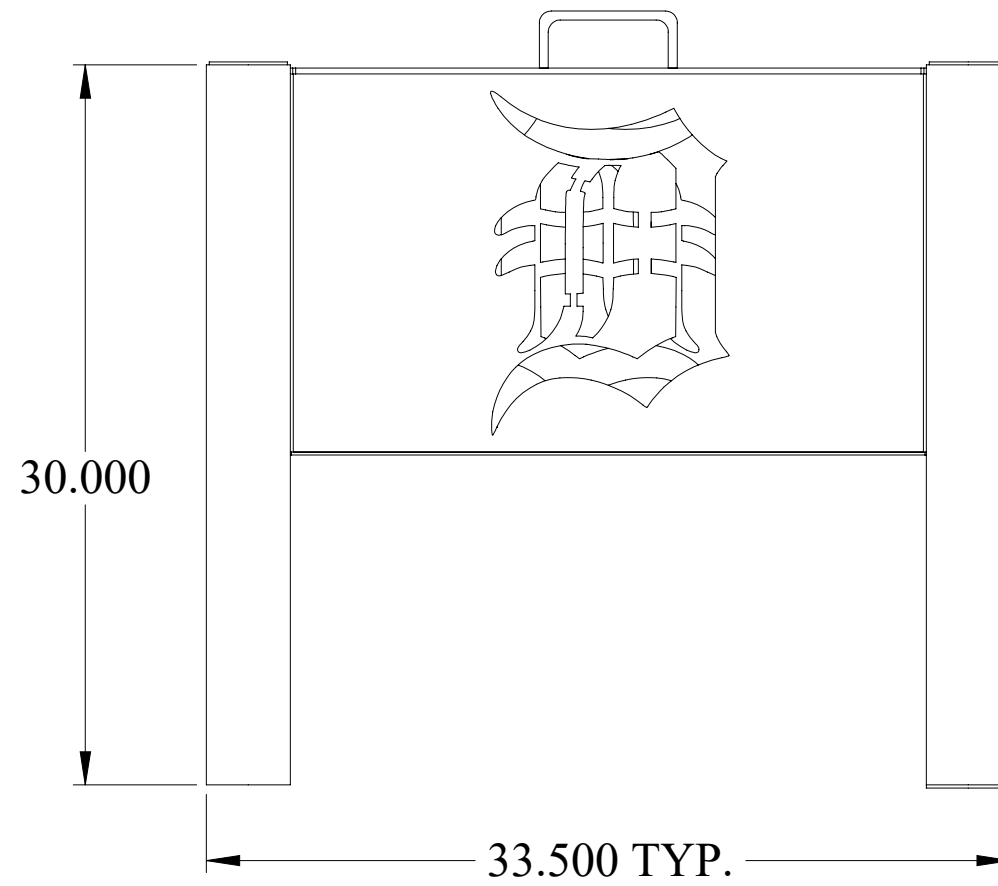
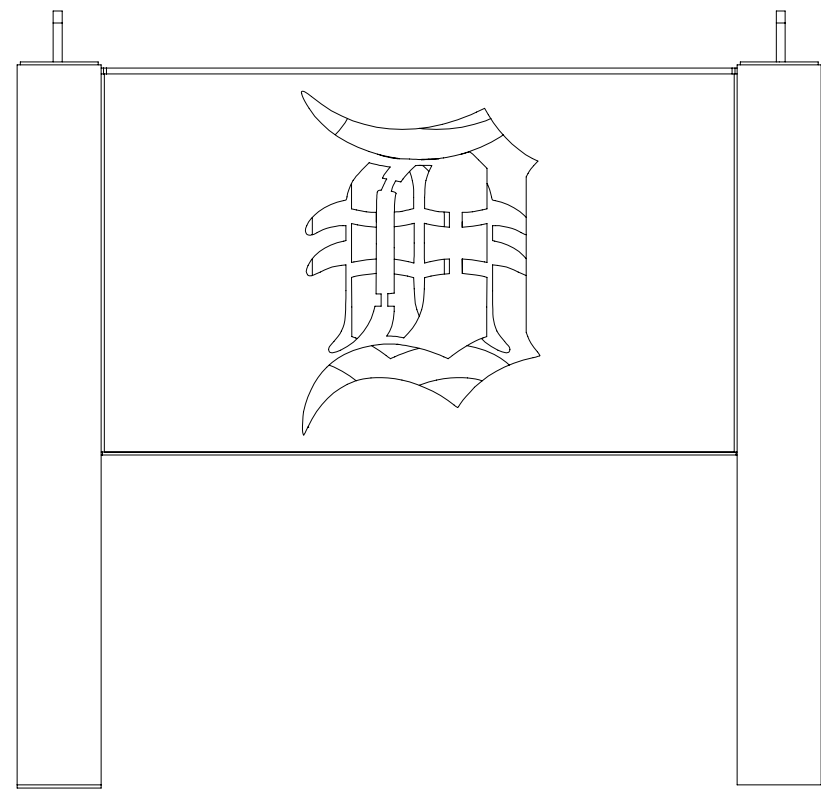
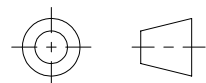


MESH TO BE WELDED UNDER LID



The information included in this document is proprietary and shall not be reproduced, transferred, or disclosed to others, for any purpose whatsoever, without the written authorization of Quantum Design and Technologies Inc.

PROJECTION:



SHEET SIZE:

C

DRAWN:

CHECKED:

APP:

DATE: 07/03/2019

PROJECT NAME:

PROJECT #:

TITLE:

SHEET 1 OF 1

DWG #:

TYPE TITLE HERE

QTMP19001-100.SLDPRT

WT: 185.6lbs

FINISH:

REV: 0