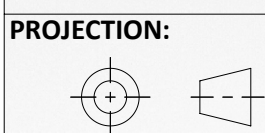


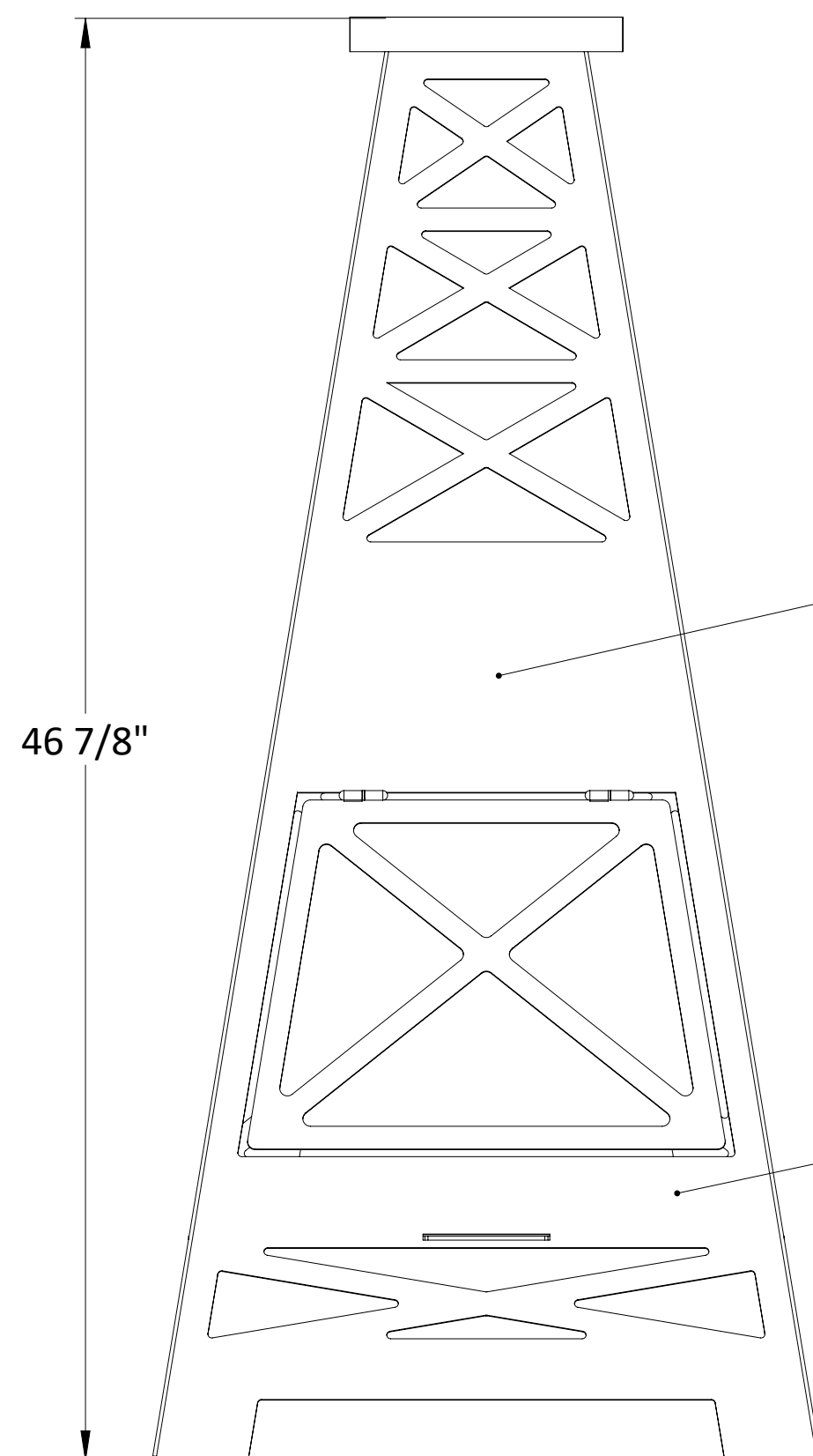
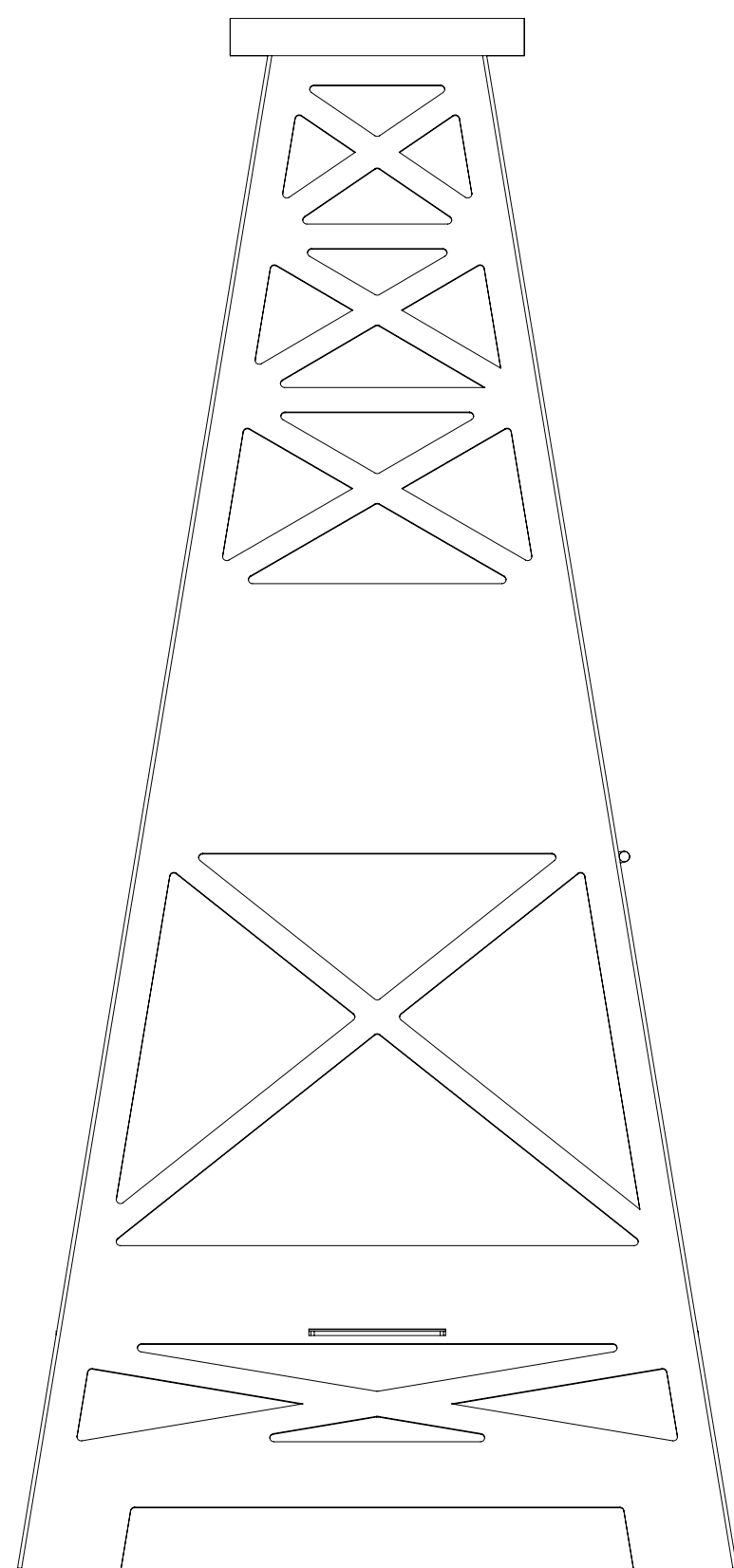
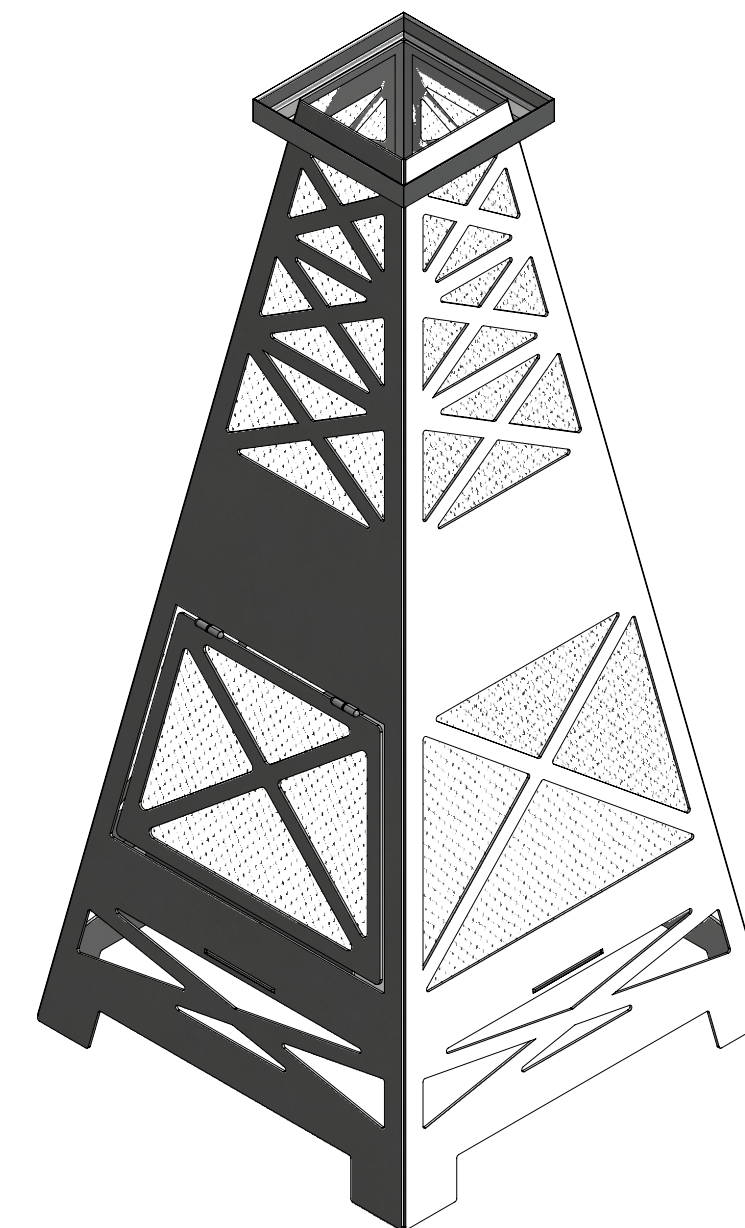
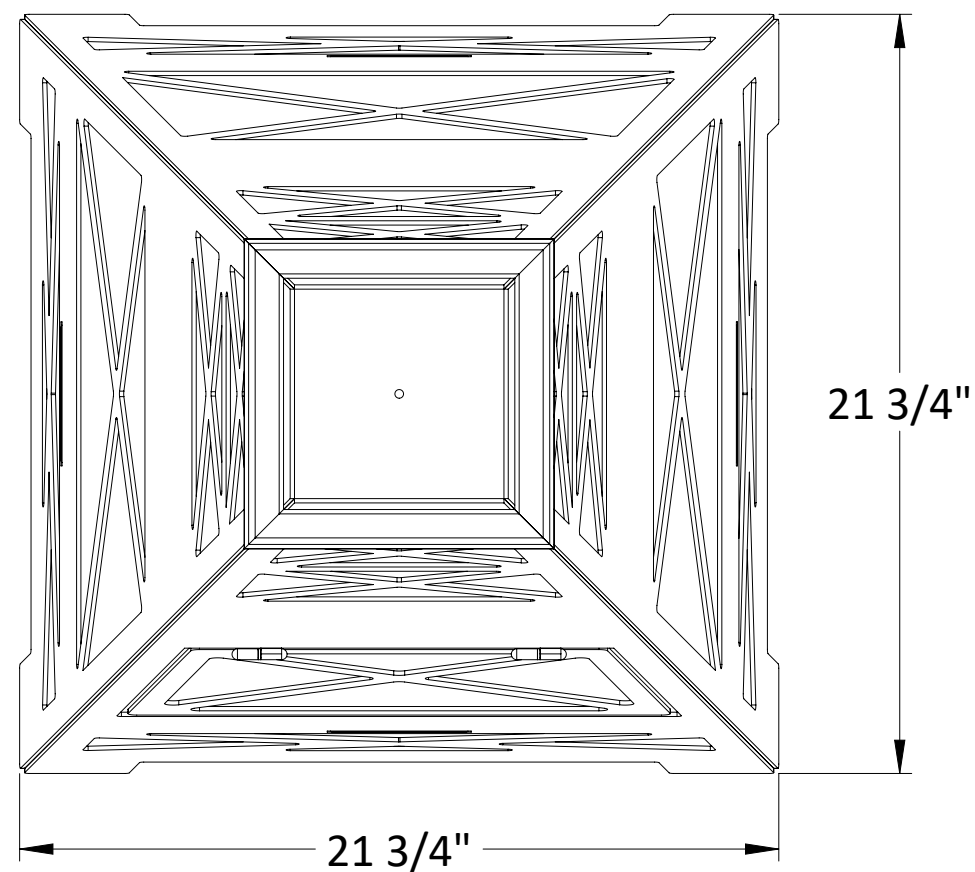
The information included in this document is proprietary and shall not be reproduced, transferred, or disclosed to others, for any purpose whatsoever, without the written authorization of Quantum Design and Technologies Inc.



SHEET SIZE:  
**C**

DRAWN:	<b>TP</b>	PROJECT NAME:	<b>DERRICK FIREPIT</b>	WT:	<b>71.2 lbs</b>
CHECKED:	<b>BJ</b>	PROJECT #:	<b>INE 21-001</b>	FINISH:	<b>POWDERCOATED</b>
APP:	<b>NB</b>	TITLE:	<b>RENDER</b>		
DATE:	<b>2021-10-29</b>	SHEET 1 OF 2	DWG #:	<b>INE 21-001 - 1</b>	REV: <b>0</b>

ALL DIMENSIONS IN INCHES UNLESS OTHERWISE NOTED



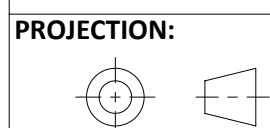
CUSTOM LOGOS  
AVAILABLE

CUSTOM ENGRAVING  
AVAILABLE

**NOTE: TO BE MADE FROM 1/8" STEEL  
AND LINED WITH EXPANDED METAL**



The information included in this document is proprietary and shall not be reproduced, transferred, or disclosed to others, for any purpose whatsoever, without the written authorization of Quantum Design and Technologies Inc.



SHEET SIZE:  
**C**

DRAWN:	<b>TP</b>	PROJECT NAME:	<b>DERRICK FIREPIT</b>	WT:	<b>71.2 lbs</b>
CHECKED:	<b>BJ</b>	PROJECT #:	<b>INE 21-001</b>	FINISH:	<b>POWDERCOATED</b>
APP:	<b>NB</b>	TITLE:	<b>3-VIEW</b>		
DATE:	<b>2021-10-29</b>	SHEET 2 OF 2	DWG #:	<b>INE 21-001 - 2</b>	REV: <b>0</b>